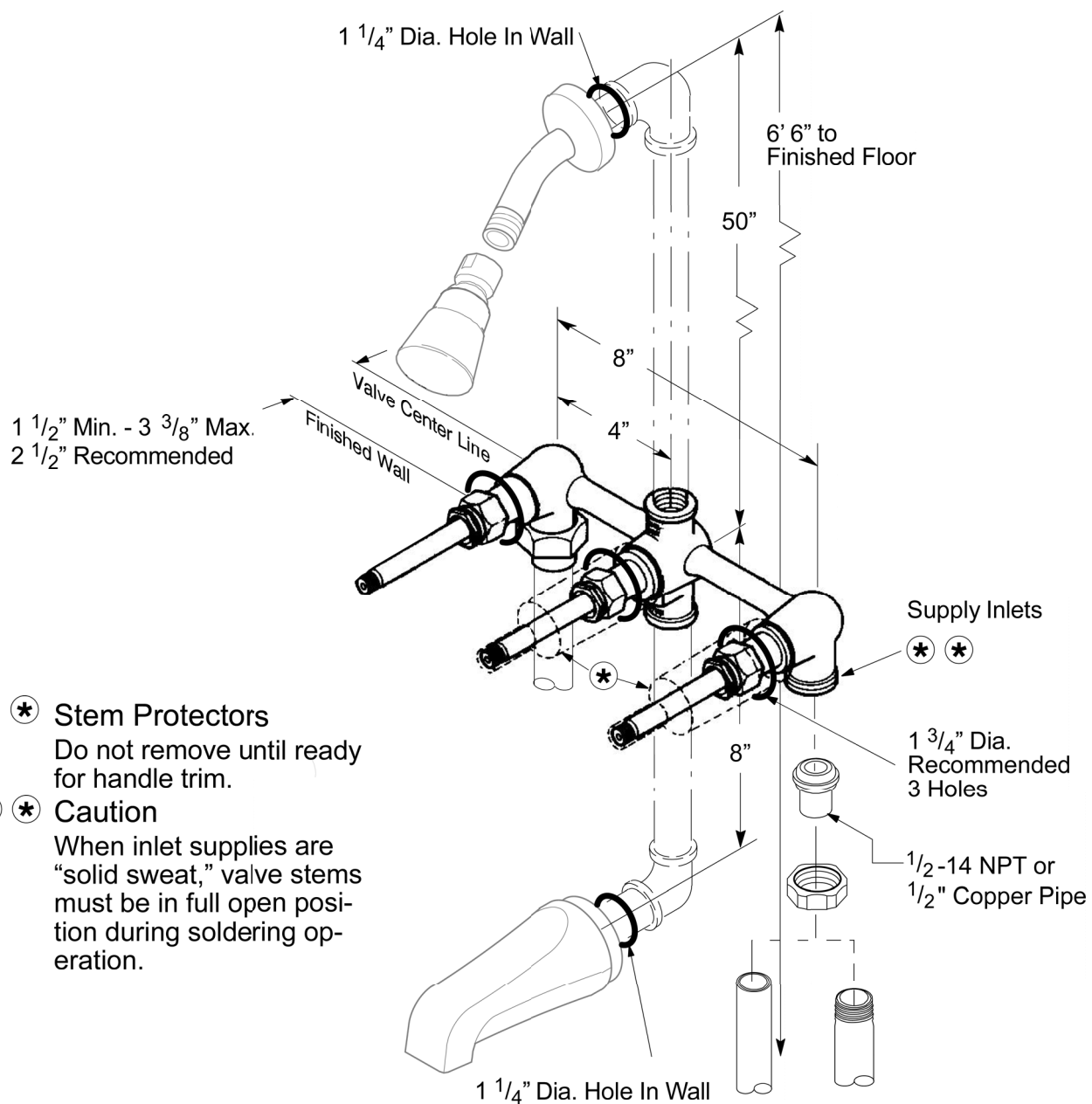


# 01 Series

## Tub & Shower Valve



\* Stem Protectors  
Do not remove until ready for handle trim.

\* \* Caution  
When inlet supplies are "solid sweat," valve stems must be in full open position during soldering operation.

1-800-PFAUCET [www.pricepfister.com](http://www.pricepfister.com)  
19701 DaVinci, Lake Forest, CA 92610  
01/28/03

**Price Pfister®**  
Pf Pfreshet Ideas in Pf faucets.