

Central Brass

C O M P A N Y

Brecksville, Ohio 44141

Phone: (216) 883-0220 Fax: (440) 526-5745

www.CentralBrass.com

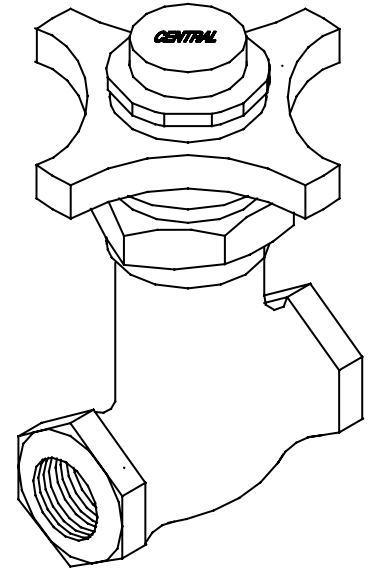
MODEL NO. 0331-3/8
**SELF CLOSING
STRAIGHT STOP**

0331-3/8

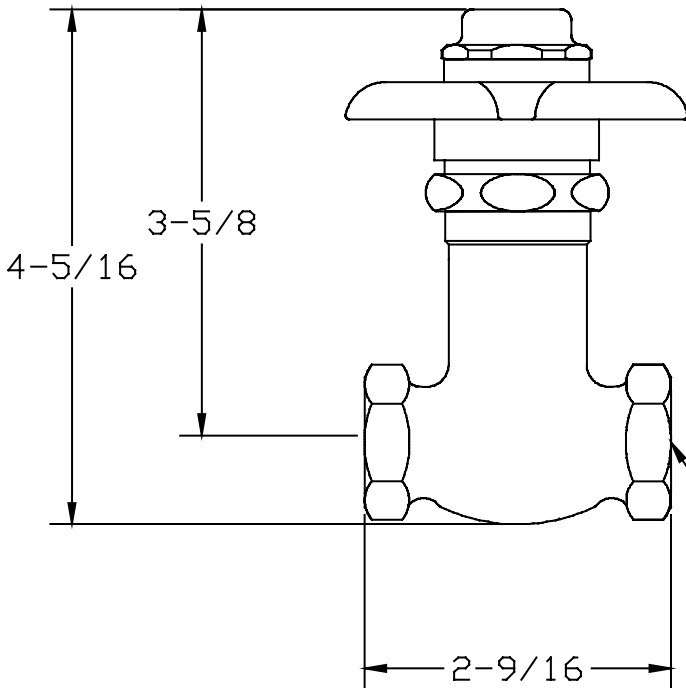
0331-V3/8

The self closing straight stop has a cast brass body with a replaceable seat. The faucet has a cam operated self closing stem that is lifted off the seat when the handle is rotated. The replaceable seat, stem, centerpiece and four arm handle are all brass. The vandal resistant handle ("V" suffix) has a set screw to hold down the cap from being removed. The return spring is stainless steel. The packing is a reinforced rubber compound. The cam action roller bearings are brass. The straight stop has a polished chrome plated finish.

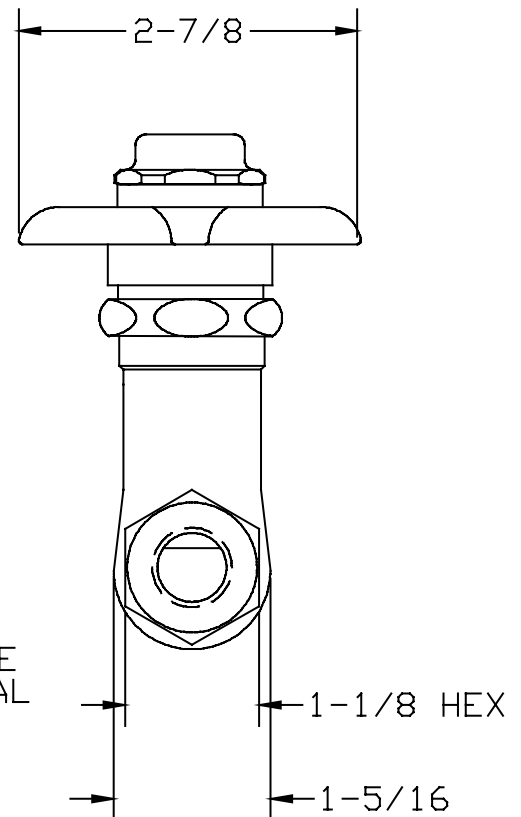
ASME A112.18.1M



Installation Drawing



3/8-18 NPS
STRAIGHT PIPE
THREAD TYPICAL



Central Brass

C O M P A N Y

Brecksville, Ohio 44141

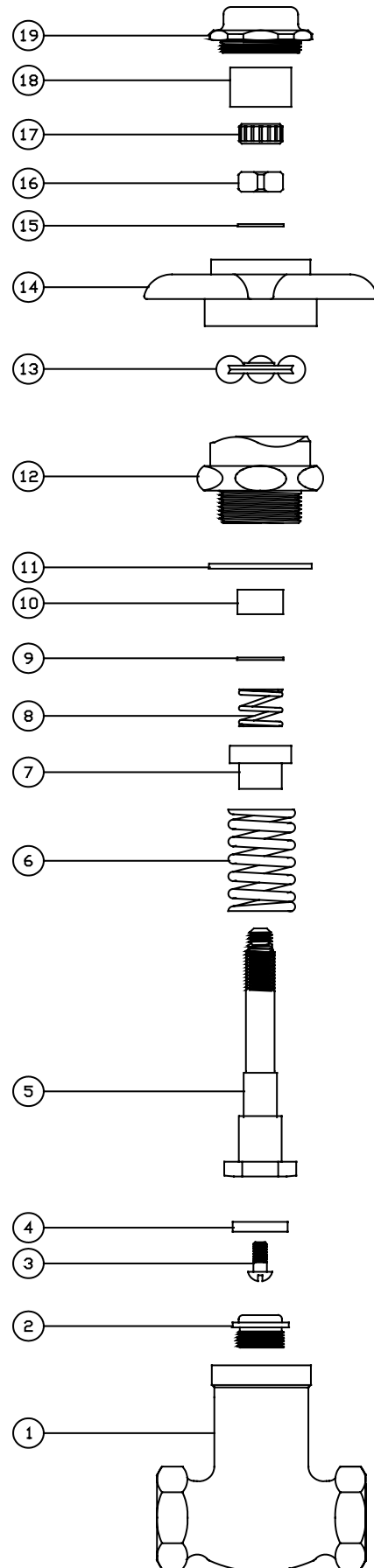
Phone: (216) 883-0220 Fax: (440) 526-5745

www.CentralBrass.com

MODEL NO. 0331-3/8
SELF CLOSING
STRAIGHT STOP

Parts Breakdown

#	Part #	Description
1	6900	Brass Body
2	PF-59	Bras Seat
3	104-02	Brass Seat Washer Screw CP
4	904	Seat Washer
5	PD-7101-AF	Brass Stem
6	1008-B	Stainless Steel Spring
7	PF-70-F	Brass Gland
8	70-D	Stainless Steel Spring
9	PF-33-A	Brass Washer
10	849-G	Packing
11	433-AN	Nylon Gasket
12	7106-F	Brass Centerpiece
13	71	Brass Bearings
14	PF-6928-P	Brass Handle
15	33-A	Brass Washer
16	68-HX	Brass Nut
17	PF-67-AC	Celcon Samson Nut
18	69-C	Celcon Sleeve
19	PF-7125	Brass Handle Cap
20	103-HSSS	Set Screw (for vandal-resistant handle)



The parts listed in the parts breakdown above may not be offered separately as replacement parts. Please review the Replacement Parts page for the authorized replacement parts that are available for this item.