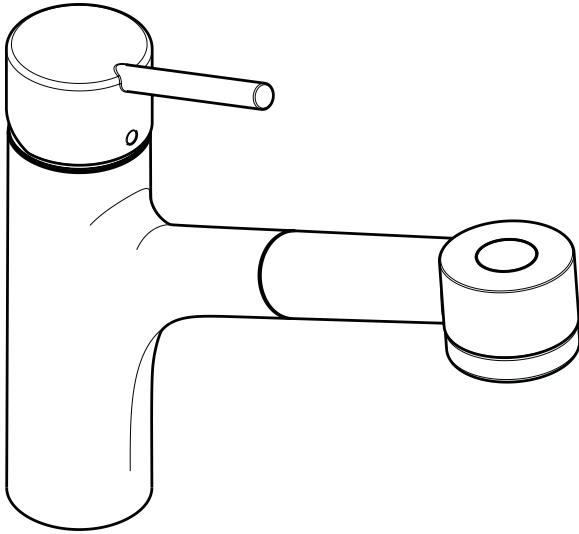


QUICLEAN



Product Features

- Solid brass
- Ceramic cartridge
- Pull-out handspray with full and needle spray
- Spout swivels 150°
- Protection against back siphonage provided by check valves
- 2.2 gpm

Code Compliance

This unit meets or exceeds the following:

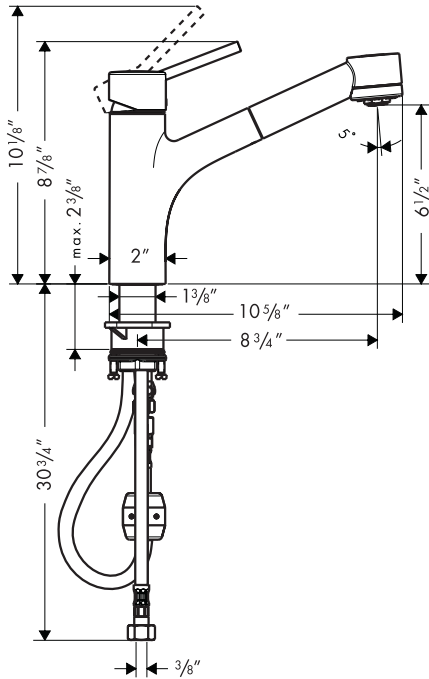
- ASME A112.18.1
- CSA B125.1
- Listed by IAPMO

Available Finishes

Chrome	06462000
Steel Optik	06462860

Optional Accessories

10" baseplate	06473XX0
Soap dispenser	06328XX0



The measurements shown are for reference only.

Products and specifications shown are subject to change without notice.

Specification sheet revised 8/2009