

## Residential Atmospheric Vent Energy Saver Gas Water Heater



Photo is of  
RG240T6N

### The Atmospheric Vent FVIR Defender Safety System® Models Feature:

- **Bradford White ICON System™**—Intelligent gas control with proven millivolt powered technology and built-in piezo igniter. A standard, off the shelf thermopile converts heat energy from the pilot flame into electrical energy to operate the gas valve and microprocessor. No need for external electricity.
  - **Enhanced Performance**—Proprietary algorithms provide enhanced First Hour Delivery ratings and tighter temperature differentials.
  - **Advanced Temperature Control System**—Microprocessor constantly monitors and controls burner operation to maintain consistent and accurate water temperature levels.
  - **Intelligent Diagnostics**—An exclusive green LED light prompts the installer during start-up and provides ten different diagnostic codes to assist in troubleshooting.
  - **Pilot On Indication**—Flashing green LED provides positive indication that pilot is on.
  - **Separate Immersed Thermowell**—High-strength advanced polymer composite thermowell provides isolation between electric temperature sensor and surrounding water. No need to drain the tank when removing gas valve.
- **Advanced ScreenLok® Technology Flame Arrestor Design**—Flame arrestor is designed to prevent ignition of flammable vapor outside of the water heater.
- **Resettable Thermal Switch**—Proven and reliable bimetallic switch prevents burner and pilot operation in case of ongoing flammable vapor burn inside of the combustion chamber or restricted air flow.
- **Maintenance-Free**—No regular cleaning of air inlet openings or flame arrestor is required under normal conditions.
- **Sight Window**—Offers a view into the combustion chamber to observe the operation of the pilot and burner.
- **Factory-Installed Hydrojet® Total Performance System**—Cold water inlet sediment reducing device helps prevent sediment build-up in tank. Increases first hour delivery of hot water while minimizing temperature build-up in tank.
- **Vitraglas® Lining**—Bradford White tanks are lined with an exclusively engineered enamel formula that provides superior tank protection from the highly corrosive effects of hot water. This formula (Vitraglas®) is fused to the steel surface by firing at a temperature of over 1600°F (871°C).
- **2" Non-CFC Foam Insulation**—Covers the sides and top of tank, reducing the amount of heat loss. This results in less energy consumption, improved operation efficiencies, and jacket rigidity.
- **Pedestal Base.**
- **Water Connections**—3/4" NPT factory installed true dielectric fittings.
- **Factory-Installed Heat Traps.**
- **Protective Magnesium Anode Rod.**
- **3x4 "Snap Lock" Draft Diverter**—Allows either 3" or 4" vent connections with inputs of 40,000 BTU/Hr or less. Over 40,000 BTU/Hr. has the 4" "Snap Lock" Draft Diverter.
- **T&P Relief Valve**—Installed.
- **Low Restriction Brass Drain Valve**—Durable tamper-proof design.

### FEATURING:



**AUDI  
AIRI**



### 6 or 10-Year Limited Tank Warranties / 6 or 10-Year Limited Warranty on Component Parts.

For more information on warranty, please visit [www.bradfordwhite.com](http://www.bradfordwhite.com)

For products installed in USA, Canada and Puerto Rico. Some states do not allow limitations on warranties. See complete copy of the warranty included with the heater.

# Residential Atmospheric Vent Gas Water Heater

## Energy Saver Models

NATURAL GAS AND LIQUID PROPANE GAS

Meet or exceed ASHRAE 90.1b (current standard) C.E.C. Listed  
79% Recovery Efficiency

Model Number	Capacity				1st Hour Rating (Gal.)	Energy Factor	Recovery 90°F Rise*				A Floor to Flue Conn. in.	B Jacket Dia. in.	C Vent Size in.	D Floor to T&P Conn. in.	E Floor to Gas Conn. in.	F Floor to Water Conn. in.	G Top T&P Conn. in.	Approx. Shipping Weight lbs.
	U.S. Gal.	Imp. Gal.	Nat. BTU/Hr. Input	LP BTU/Hr. Input			Nat. U.S. GPH	Nat. Imp. GPH	LP U.S. GPH	LP Imp. GPH								
RG230T6N●	30	25	32,000	31,000	58	0.64	34	28	33	23	59 3/4	18	3X4	49 7/8	13	57 1/8	57 1/8	118
RG230S6N	30	25	30,000	32,000	56	0.63	32	37	32	27	49 1/4	20	3X4	38 5/8	13	46 1/2	N/A	108
RG240T6N●	40	33	40,000	36,000	76	0.62	43	36	34	33	60 1/8	20	3X4	50 1/8	13	57 9/16	57 9/16	136
RG240S6N●	40	33	40,000	35,000	74	0.62	43	36	41	34	51 1/2	22	3X4	41	13	49 3/16	49 3/16	141
RG250L6N	48	40	40,000	35,000	88	0.60	43	36	41	34	51 5/8	24	3X4	40 5/8	13	49 3/8	N/A	162
RG250T6N●	50	42	40,000	35,000	89	0.62	43	36	41	34	60 1/2	22	3X4	49 7/8	13	57 7/8	57 7/8	164
RG250S6N●	50	42	50,000	48,000	93	0.60	54	45	52	45	60 1/2	22	4	49 7/8	13	58 3/16	58 3/16	163

Model Number	Capacity				1st Hour Rating (Liters)	Energy Factor	Recovery 50°C Rise*		A Floor to Flue Conn. mm.	B Jacket Dia. mm.	C Vent Size mm.	D Floor to T&P Conn. mm.	E Floor to Gas Conn. mm.	F Floor to Water Conn. mm.	G Top T&P Conn. mm.	Approx. Shipping Weight kg.
	Liters		Nat. kW Input	LP kW Input			Nat. Liters/Hour	LP Liters/Hour								
RG230T6N●	114		9.4	9.1	220	0.64	129	125	1518	457	76x102	1267	330	1451	1451	54
RG230S6N	114		8.8	9.4	212	0.63	121	121	1251	508	76x102	982	330	1181	N/A	49
RG240T6N●	151		11.7	10.6	288	0.62	163	129	1527	508	76x102	1273	330	1462	1462	62
RG240S6N●	151		11.7	10.3	280	0.62	163	155	1308	559	76x102	1041	330	1249	1249	64
RG250L6N	157		11.7	10.3	333	0.60	163	155	1311	610	76x102	1032	330	1254	N/A	73
RG250T6N●	184		11.7	10.3	337	0.62	163	155	1537	559	76x102	1267	330	1470	1470	74
RG250S6N●	184		14.7	14.1	352	0.60	204	197	1537	559	102	1267	330	1478	1478	74

Propane models feature a Titanium Stainless Steel propane burner. For Propane (LP) models change suffix "N" to "X".

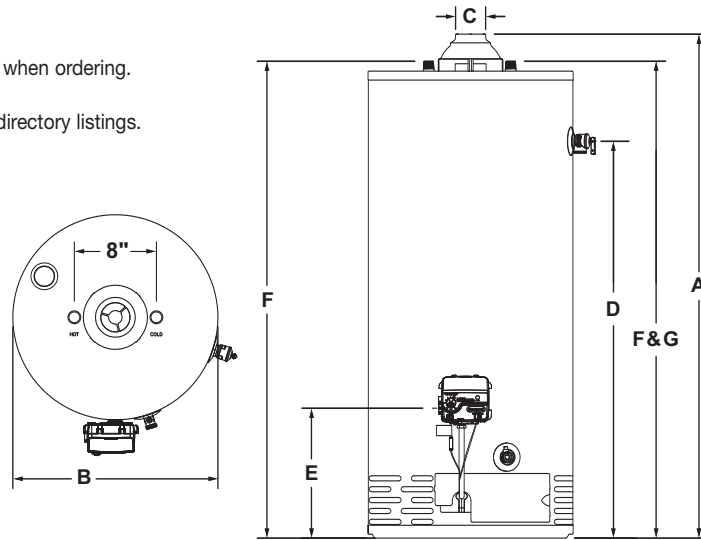
For 10 year models, change suffix from "6" to "10".

\*Based on manufacturer's rated recovery efficiency.

●Models feature optional top T&P location and must be specified when ordering.

Note: RG230S6N and RG250L6N do not have top T&P option.

Energy Factor and First Hour Rating is based on the latest AHRI directory listings.



### Meets NAECA Requirements

#### General:

All gas water heaters are certified at 300 PSI test pressure (2068 kPa) and 150 PSI working pressure (1034 kPa). All water connections are 3/8" NPT (19mm) on 8" (203mm) centers. All gas connections are 1/2" (13mm).

All models design-certified by CSA International (formerly AGA/CGA), ANSI standard Z-21.10.1 and peak performance rated.

**Dimensions and specifications subject to change without notice in accordance with our policy of continuous product improvement.**

#### Suitable for Water (Potable) Heating and Space Heating.

Toxic chemicals, such as those used for boiler treatment, shall NEVER be introduced into this system. This unit may NEVER be connected to any existing heating system or component(s) previously used with a non-potable water heating appliance.



Ambler, PA

For U.S. and Canada field service, contact your professional installer or local Bradford White sales representative.

Sales 800-523-2931 • Fax 215-641-1670 / Technical Support 800-334-3393 • Fax 269-795-1089 • Warranty 800-531-2111 • Fax 269-795-1089

International: Telephone 215-641-9400 • Telefax 215-641-9750 / www.bradfordwhite.com

**BRADFORD WHITE-CANADA** INC. Sales / Technical Support 866-690-0961 / 905-238-0100 • Fax 905-238-0105 / www.bradfordwhite.com

**Built to be the Best™**

©2015, Bradford White Corporation. All rights reserved.