

ELKAY[®]

SPECIFICATIONS

Sink Accessories

Models LKS35 Series Drain and LKD35 Series Disposer Flange Fitting

GENERAL

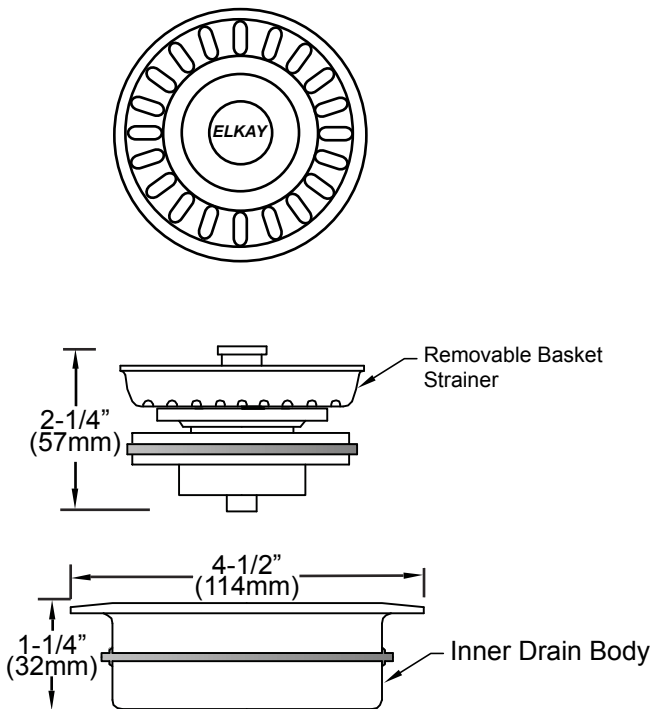
LKS35 Polymer drain outlet fitting with removable basket strainer. Designed to fit 3-1/2" (89mm) drain opening with an overall flange size of 4-1/2" (114mm). Max sink thickness: 1-1/4" (32mm).

LKD35 Polymer disposer flange fitting with removable basket strainer. Designed to snap over garbage disposal drain bodies that use a three bolt mounting bracket. Will not fit any garbage disposal that accommodates a 3-1/4" (83mm) diameter flange (i.e. GE, Sinkmaster, Whirlaway models with the EZ Mount Flange). Will not fit batch feed garbage disposals. Overall flange size is 4-1/2" (114mm).

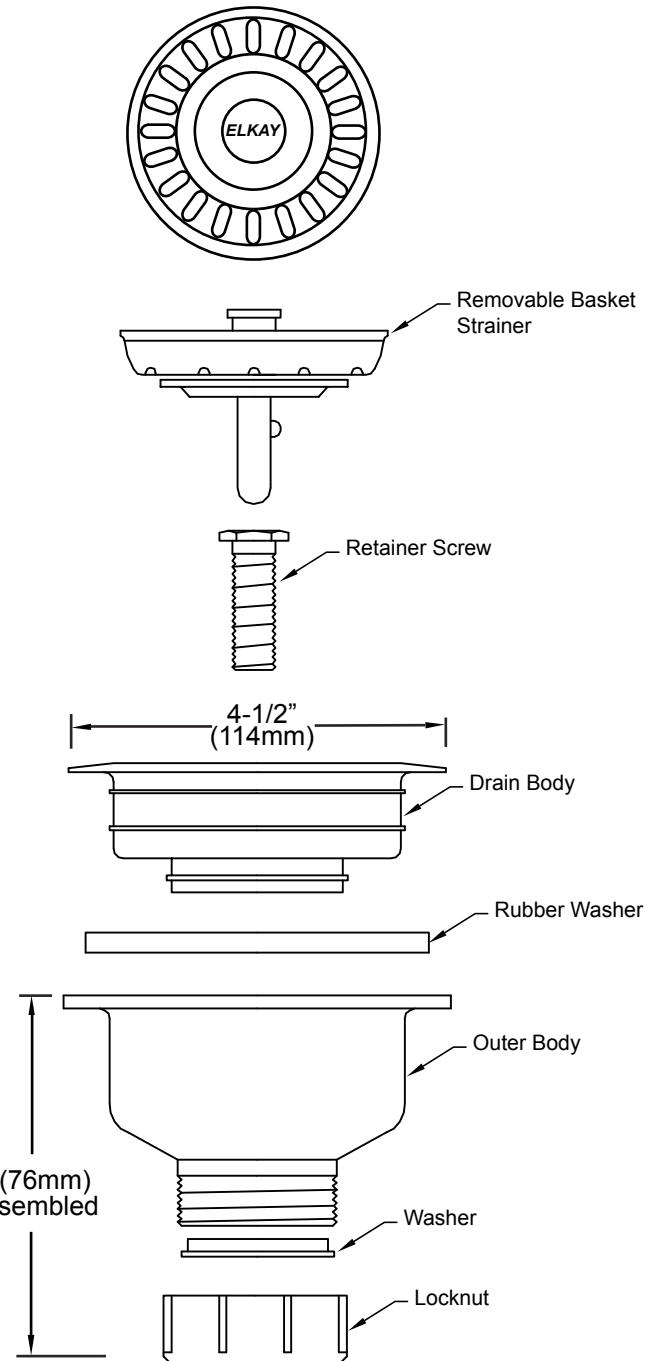
MODEL COLOR

LKS35BK Black
 LKS35BQ Bisque
 LKS35MC Mocha
 LKS35WH White

LKD35BK Black
 LKD35BQ Bisque
 LKD35MC Mocha
 LKD35WH White



Model LKD35 Series Illustrated



Model LKS35 Series Illustrated

In keeping with our policy of continuing product improvement, Elkay reserves the right to change product specifications without notice.

This specification describes an Elkay product with design, quality and functional benefits to the user. When making a comparison of other producers' offerings, be certain these features are not overlooked.