



Figure # 206F

Brass Threaded Gate Valve

Product Features

- 125# WSP / 200# WOG
- Brass Body
- Solid Disc
- Threaded Ends
- Inserted Bonnet
- Non-Rising Stem

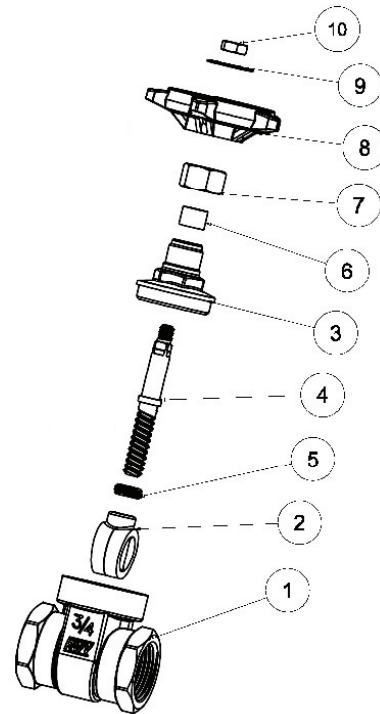


Certified to
ANSI/ISO 61



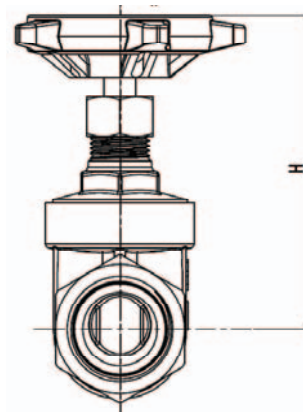
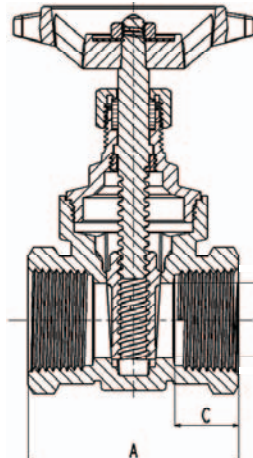
Materials & Specifications

Item	Description	Material	Specification
1	Body	Brass	B283-C3770
2	Wedge	Brass	B283-C3770
3	Bonnet	Brass	B283-C3770
4	Stem	Brass	B124-C3770
5	Ring	Brass	B124-C3770
6	Packing ring	Graphite	WRAS approved
7	Packing nut	Brass	B124-C3770
8	Handwheel	Aluminum	B85
9	Disc	Aluminum	B85
10	Nut	Zinc Plated Steel	A36



Dimensions, Weights (inches-lbs.) & Valve Data

Size	1/2	3/4	1	1-1/4	1-1/2	2
A	1.97	2.12	2.44	2.75	2.84	3.23
C	0.65	0.65	0.78	0.86	0.86	0.96
H	2.79	3.17	3.93	4.37	4.94	6.27
L	2.51	2.51	2.99	3.54	3.54	4.13
P	0.51	0.74	1.00	1.25	1.50	2.00
Cv	10.8	23.0	42.0	72.0	120.0	210.0
Wt	0.53	0.82	1.17	1.83	2.38	4.03



RED-WHITE VALVE CORP.

20600 Regency Lane, Lake Forest, CA 92630

TEL: 949.859.1010 • FAX: 949.859.7200 • www.redwhitevalvecorp.com