



Figure # 233AB
Low Lead Brass In-Line Check Valve

Product Features

- 200# WOG
- Forge Brass Body
- Solder Ends
- Spring loaded
- Horizontal or Vertical Installation
- FPM Soft Seat
- AB 1953 Certified

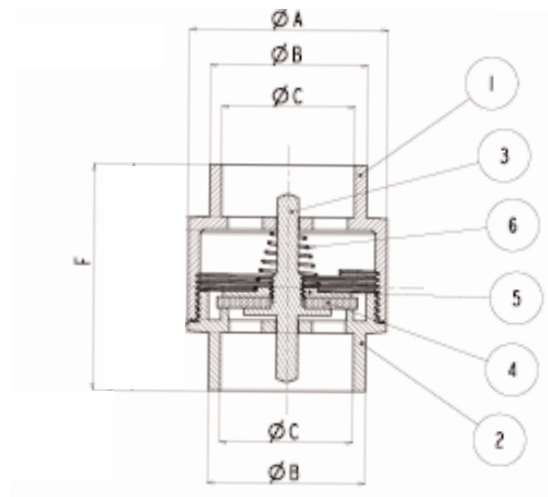


Materials & Specifications

Item	Description	Material	Specification
1	Body	Low Lead Brass	CW510L
2	Body Cap	Low Lead Brass	CW510L
3	Disk Body	Low Lead Brass	CW510L
4	Seat	FPM	NSF approved
5	Disk Seat	Low Lead Brass	CW510L
6	Spring	Steel	SS304

Dimensions, Weights (inches-lbs.) & Valve Data

Size	1/2"	3/4"	1"	1-1/4"	1-1/2"	2"	
A	1.18	1.46	1.73	2.2	2.48	3.07	
B	0.79	1.04	1.29	1.56	1.81	2.32	
C	Min	0.627	0.877	1.128	1.378	1.628	2.128
	Max	0.631	0.881	1.132	1.382	1.633	2.133
F	2.36	2.68	3.15	3.54	3.94	4.33	
Cv	2.4	3.1	3.8	10.7	13.8	20.2	
Wt.-Lbs	0.26	0.4	0.56	0.95	1.39	2.1	



Pressure /Temperature Ratings

- 200 PSI max. pressure from 15F to 200F

