

Product information presented here reflects conditions at time of publication. Consult factory regarding discrepancies or inconsistencies.

PUMP COMPANY

Zoeller Family of Water Solutions™

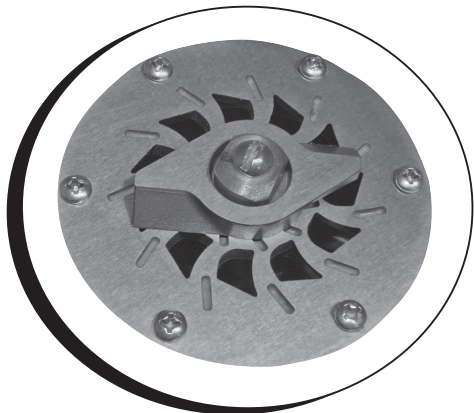
MAIL TO: P.O. BOX 16347 • Louisville, KY 40256-0347
 SHIP TO: 3649 Cane Run Road • Louisville, KY 40211-1961
 (502) 778-2731 • 1 (800) 928-PUMP • FAX (502) 774-3624

visit our web site:
www.zoeller.com

915 Grinder Package includes:

1/2 HP Shark grinder pump

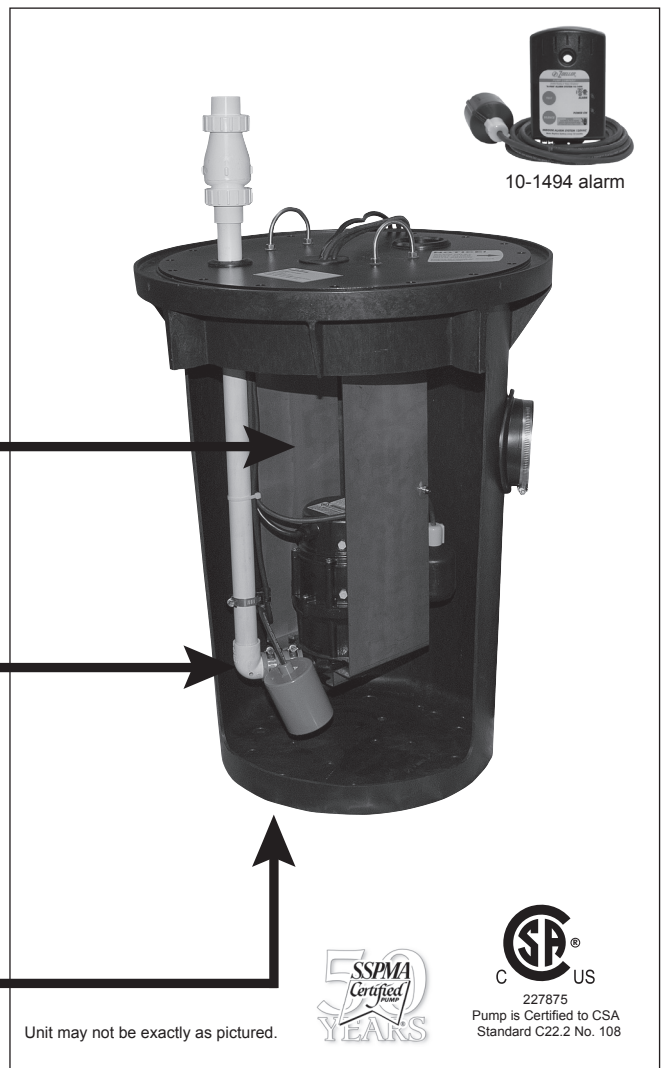
- 115V, 7.0 FLA, 3450 RPM
- All stainless steel hardware
- UL listed 15' cord assembly
- cCSAus listed
- Stainless steel cutter and disc assembly
- Tri-Slice® Cutter Technology - three independent cutting channels provide over 250,000 cuts/minute.
- Cool run design with cast iron motor housing
- 1 ¼" discharge
- Steel cover with 2" vent and 1 ¼" discharge (10' stack test cover available)
- 1 ¼" check valve with unions included
- All internal PVC piping factory installed
- Preset float switch and alarm
- 18" x 30" Poly molded or fiberglass basin
 On: 13 ¾" Off: 6 ½"
- 24" x 24" Poly molded basin
 On: 11" Off: 5 ¼"
- IBAD® - Integral Baffling and Deflection System allows solids up to 4" to enter the basin without becoming lodged; minimizes potential float obstruction.
- Basin Scouring System® automatically agitates standing liquid to prevent grease and sludge build up. Engineered for the life of the system; no moving parts to wear out.



THE SHARK Series 915 Grinder Package

Complete and Job Ready for Fast Installation

Ideal Solution for residential wastewater applications or 2" sewage ejector retrofits*

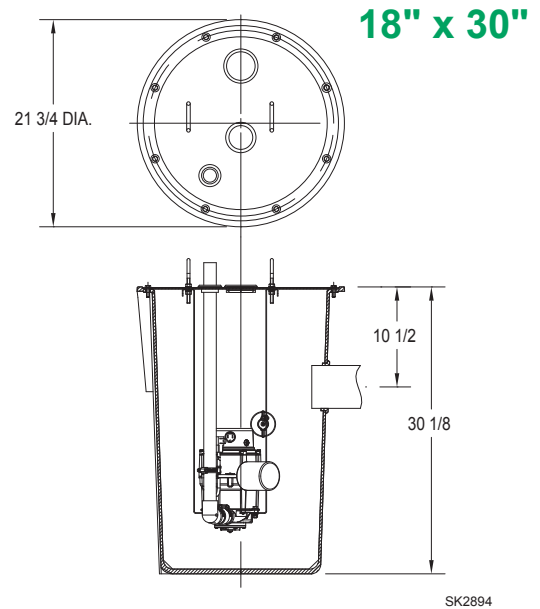
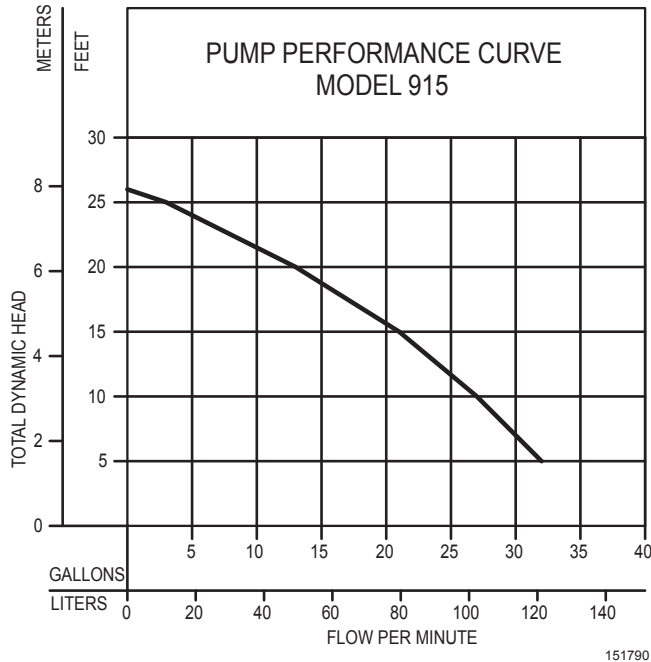


Unit may not be exactly as pictured.



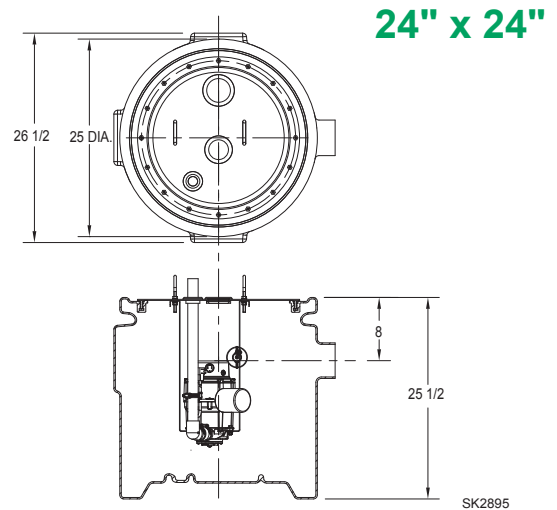
* remove basin for sewage ejector retrofits

GRINDER SYSTEM DIMENSIONAL DATA



BASIN SPECIFICATIONS

- Poly molded basin w/simplex steel cover, available in 18" x 30" or 24" x 24"
- Fiberglass basin w/simplex steel 10' stack rated cover. Available in 18" x 30"
- 4" predrilled inlet (18" x 30" includes inlet seal)
- All covers supplied with 2" vent, 1 1/4" discharge and stainless steel bolt kit
- Retrofits most simplex 18" x 30" and 24" x 24" ejector basins including: Topp, Jackel, and Liberty 370 / 380.



* For 2" sewage ejector retrofit, simply remove and discard basin. Cover and suspended grinder pump will drop into existing basin. Cover may require field alignment to support reduced debris build up.

AVAILABLE PACKAGE SYSTEMS

P/N	Description
915-0005	Auto with piggyback, 18" x 30" poly molded basin with 2V1 1/4D steel simplex cover with 10-1494 alarm
915-0006	Auto with piggyback, 24" x 24" poly molded basin with 2V1 1/4D steel simplex cover with 10-1494 alarm
915-0007	Auto with piggyback, 18" x 30" fiberglass basin with 2V1 1/4D steel 10' stack test simplex cover with 10-1494 alarm
915-0008	Auto with piggyback, 18" x 30" poly molded basin with 3V1 1/4D steel simplex cover with 10-1494 alarm
915-0009	Auto with piggyback, 24" x 24" poly molded basin with 3V1 1/4D steel simplex cover with 10-1494 alarm
915-0010	Auto with piggyback, 18" x 30" fiberglass basin with 3V1 1/4D steel 10' stack test simplex cover with 10-1494 alarm