

Concealed Lavatory Metering Sink Faucet

Product Type

Concealed Lavatory Metering Sink Faucet

Features & Specifications

- 5" C-C Rigid Cast Brass Spout
- 2.2 GPM (8.3 L/min) Pressure Compensating Softflo® Aerator
- 1 3/4" Round MVP™ Metering Handles with Hot and Cold Index Buttons
- MVP™ Metering Adjustable Self Closing Cartridges
- 1/2" NPSM Supply Inlets with Coupling Nut for 3/8" or 1/2" Flexible Riser
- ECAST® design provides durable brass construction with total lead content equal to or less than 0.25% by weighted average

Performance Specification

- Rating Operating Pressure: 20-125 PSI
- Rated Operating Temperature: 40-140°F

Warranty

- Lifetime Limited Faucet Warranty
- 5-Year Limited Cartridge Warranty
- 1-Year Limited Finish Warranty

Compliant To

- CA AB1953
- VT S.152
- ASME A112.18.1M
- CSA B125.1
- NSF 61, Section 9
- ADA ANSI/ICC A117.1

Job Name _____

Item Number _____

Section/Tag _____

Model Specified _____

Architect _____

Engineer _____

Contractor _____

Submitted as Shown Submitted with Variations

Date _____



ECAST

ECAST products are intended for installation where state laws and local codes mandate lead content levels or in any location where lead content is a concern.

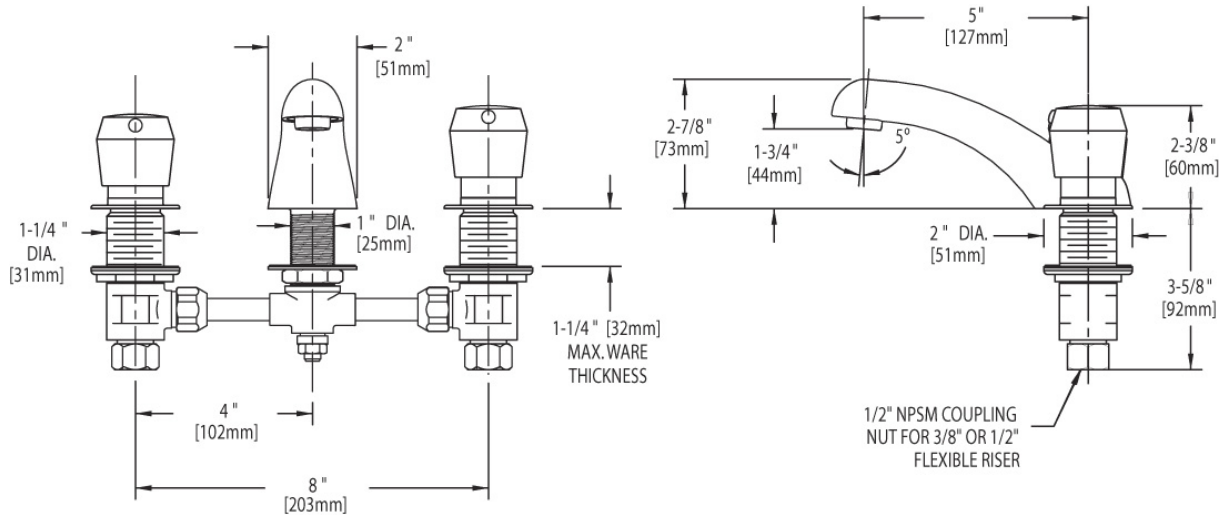


2100 South Clearwater Drive
Des Plaines, IL
P: 847/803-5000
F: 847/803-5454
Technical: 800/TEC-TRUE
www.chicagofaucets.com

Concealed Lavatory Metering Sink Faucet

Architect/Engineer Specification

Chicago Faucets No. 404-665ABCP, polished chrome plated solid brass body and spout. ECAST® construction with less than 0.25% lead content by weighted average. 5" C-C cast spout. 2.2 GPM pressure compensating vandal-resistant aerator outlet. Tapered vandal-resistant metering handle with color coded index buttons. MVP™ push button, 0.25 Gal/cycle self-closing metering cartridge. 8" rigid valve body centers with 1/2" NPSM inlets and coupling nuts for 3/8" or 1/2" flexible risers. Mounting hardware included. This product meets ADA requirements and is tested and certified to industry standards: ASME A112.18.1, NSF 61 Sec. 9, CSA B125, and California Lead Plumbing Law (AB1953).



Operation and Maintenance

Installation should be in accordance with local plumbing codes. Flush all pipes thoroughly before installation. After installation, remove spout outlet or flow control and flush faucet thoroughly to clear any debris. Care should be taken when cleaning the product. Do not use abrasive cleaners, chemicals or solvents as they can result in surface damage. Use mild soap and warm water for cleaning and protecting the life of Chicago Faucet products. For specific operation and maintenance refer to the installation instructions and repair parts documents that are located at www.chicagofaucets.com.

Chicago Faucets, member of the Geberit Group, is the leading brand of commercial faucets and fittings in the United States, offering a complete range of products for schools, laboratories, hospitals, office buildings, food service, airports and sport facilities. Call 1.800.TECTRUE or 1.847.803.5000 Option 1 for installation or other technical assistance.



2100 South Clearwater Drive
Des Plaines, IL
P: 847/803-5000
F: 847/803-5454
Technical: 800/TEC-TRUE
www.chicagofaucets.com