

## FEATURED MODEL

441332 CULINA Semi-Professional SATIN NICKEL

## ADDITIONAL MODELS

441331 CULINA Semi-Professional CHROME



reddot design award  
product design

## FEATURES

- 2011 RED DOT Award Winning Design.
- AB1953 Compliant under NSF Annex G certification.
- A gracefully flexible steel spring spout provides maximum free range.
- The streamlined closed coil is also easier to keep clean.
- Quick release magnetic hand spray is easy to use and effortlessly snaps back to their original position just by holding the spout near the magnetic feature.
- Dual spray feature on hand spray.
- Easy to clean rubber nubbins on spray head make it easy to clean calcium and lime deposits with your finger.
- Solid brass construction
- Ceramic disc cartridge
- 2.2 GPM Rate
- Installation in a 1-3/8" hole
- Limited Lifetime Warranty

## CODE/STANDARDS COMPLIANCE

ASME A112.18.1-2005

NSF 61 certified in conformance with Uniform Plumbing Code

NSF 61 ANEX G low lead requirements

## WARRANTY

Blanco America's faucets feature a LIMITED LIFETIME WARRANTY to be free of all manufacturing defects under normal use. See our complete warranty for details. While Blanco America endeavors to provide accurate information, all dimensions are nominal, cannot be guaranteed, and are subject to change or cancellation. Blanco America assumes no responsibility for use of superseded or voided specifications.

## JOB INFORMATION

Job Name: \_\_\_\_\_

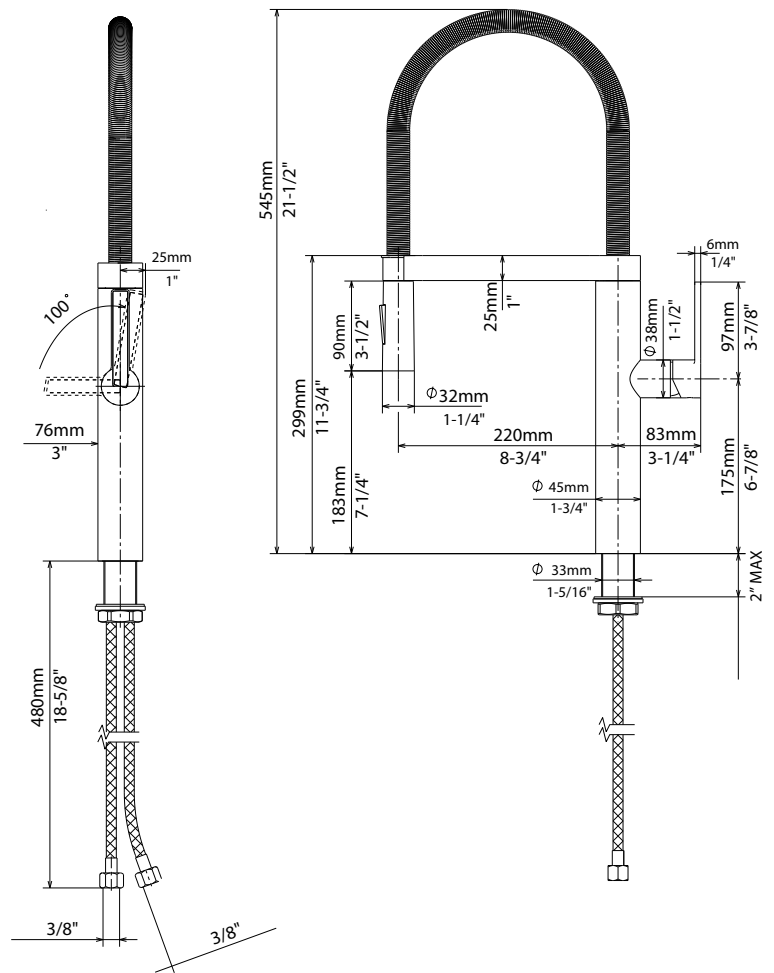
Contact: \_\_\_\_\_

Date Specified: \_\_\_\_\_

Specifier: \_\_\_\_\_

Contractor: \_\_\_\_\_

NOMINAL DIMENSIONS
MODEL: 441332
REACH: 8-5/8"
SPOUT HEIGHT: 7-1/2"
FAUCET HEIGHT: 22"



BLANCO  
800.451.5782  
www.blancoamerica.com

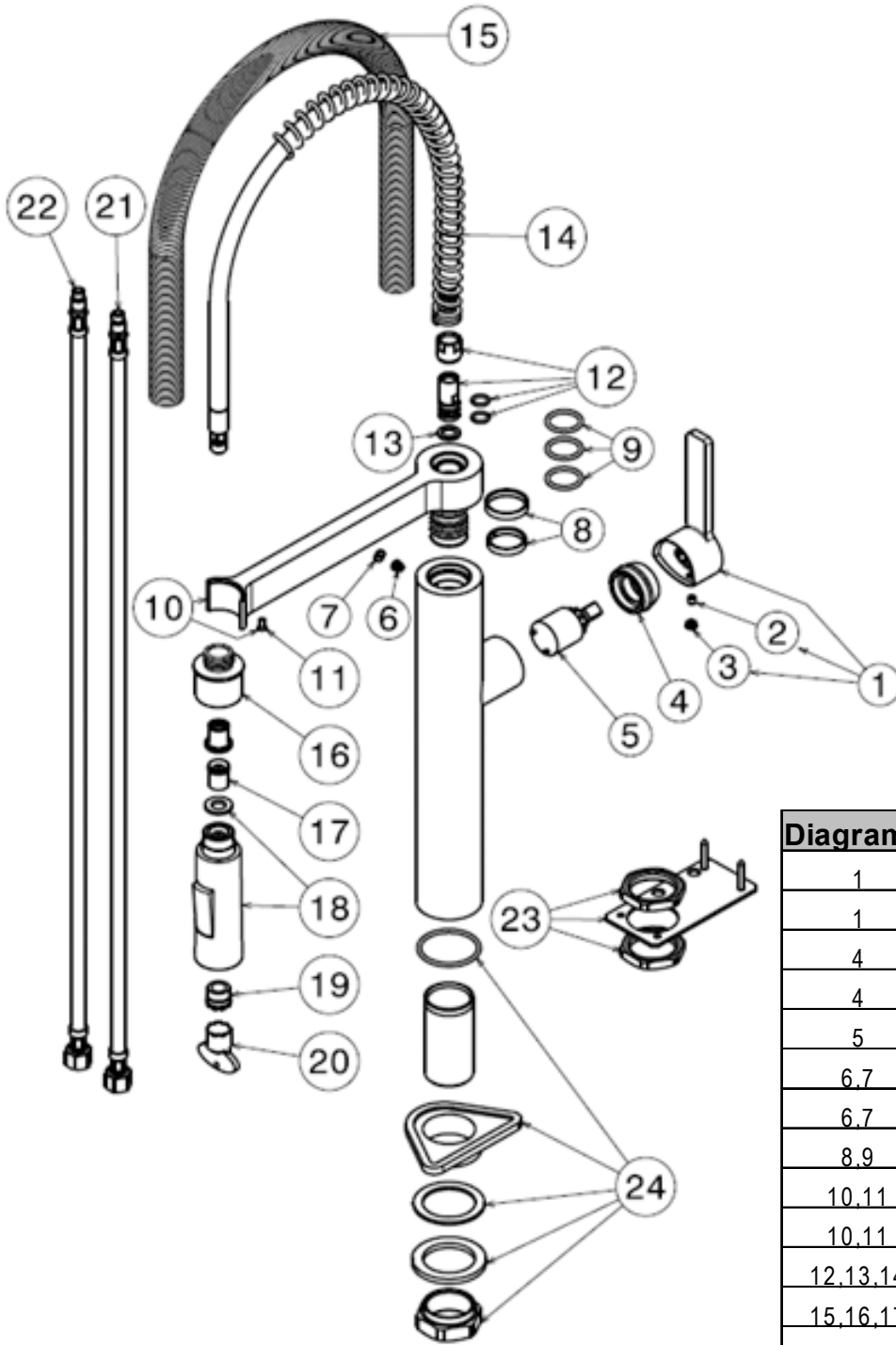


Diagram #	Description	Part #
1	Chrome Lever Handle	441342
1	Satin Nickel Lever Handle	441343
4	Cartridge Locknut Chrome	441344
4	Cartridge Locknut Satin Nickel	441345
5	Cartridge	441346
6.7	Chrome Cover and Screw	441347
6.7	Satin Nickel Cover and Screw	441348
8.9	O-Ring Kit	441349
10.11	Docking Arm w/magnet Chrome	441386
10.11	Docking Arm w/magnet Satin Nickel	441387
12.13.14	Spray Hose Assembly	441350
15.16.17	Coil Assembly	441351
18.19	Chrome Spray Head	441352
18.19	Satin Nickel Spray Head	441353
19.20	Aerator and Tool	441354
23.24	Mounting Hardware	441355