

# DOUBLE HOSE BIBB OUTLET CONNECTION OUTLET BOX WITH DRAIN BOX

696 series

Ox Box™

## SPECIFICATION

Sioux Chief 696 series Ox Box double hose bibb outlet connection outlet box with drain box shall be used where necessary in plumbing supply/drainage systems. Unit shall allow for mounting with supply lines from top or bottom, on-stud or between-studs. Unit shall be available with plain valves or valves with water hammer arresters. Arresters shall be certified to ASSE 1010 and shall be UPC listed. Metal support bracket shall install into top tracks of boxes for between stud configuration. Metal clip shall be installed on side slots of box in desired configuration. Drain box shall have a 5/8" integral testable nipple on knockout. Outlet connections shall be generally 3/4".

## MATERIALS

outlet box: ABS  
 frame: ABS  
 bracket: galvanized steel  
 box clip: galvanized steel  
 arrester body: Type L copper tube  
 piston: polypropylene with two EPDM o-rings  
 piston lubrication: Dow-Corning, 111 FDA approved silicone compound  
 valve body: chrome-plated forged brass

## VALVE/ARRESTER WORKING LIMITS

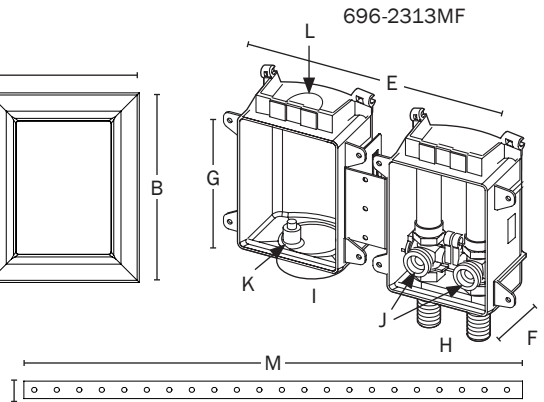
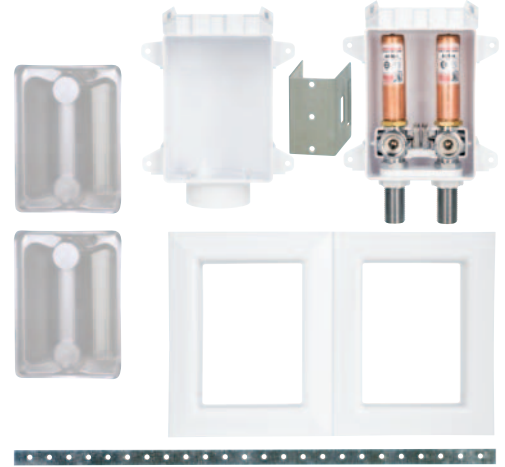
max working temperature: 250°F  
 maximum testing air pressure: 100 PSIG  
 maximum working/testing pressure: 250 PSIG

## DIMENSIONS

A: Frame width	11½"
B: Frame height	7¼"
C: Frame opening width	3⅝"
D: Frame opening height	5⅛"
E: Rough-in box width	4" (single box) 10" (double with clip)
F: Rough-in box depth	3½"
G: Rough-in box height	5½"
H: Supply connections	½" nominal, 2" O.C.
I: Drain connections	2" hub DWV
J: Outlet connections	¾" male hose thread
K: Test nipple	⅝" O.D.
L: Secondary drainage knockout <sup>1</sup>	accepts ½", ¾", or 1" pipe
M: Bracket length	18"
N: Bracket width	⅝"
Bracket thickness	16 gauge

1 Secondary drainage funnel (696-CF) available separately.

Item # Submitted	_____
Job Name	_____
Location	_____
Engineer	_____
Contractor	_____
PO#	_____ TAG _____



## CERTIFICATIONS/APPROVALS

Listed by UPC/IAPMO to meet UPC  
 Conforms to IPC  
 Valves meet ASME A112.18.1  
 SCM items available with no-lead valves  
 are compliant with NSF-61 Annex G and  
 California No Lead Plumbing Law



Create Item Number

**696 A 23 B 3 C D**

e.g. 696-2313MF = double hose bibb outlet connection supply box and drain box, female sweat valves with arresters, packaged with frame

- |   |  |   |
|---|--|---|
| <p><b>A VALVES</b></p> <p><input type="checkbox"/> - Plain valve</p> <p><input type="checkbox"/> -G No-lead valves<sup>1</sup></p> <p><b>B ARRESTER</b></p> <p><input type="checkbox"/> 0 No arrester</p> <p><input type="checkbox"/> 1 With arrester</p> | <p><b>C SUPPLY CONNECTION</b></p> <p><input type="checkbox"/> M ½" female sweat</p> <p><input type="checkbox"/> C ½" male CPVC</p> <p><input type="checkbox"/> X ½" PEX crimp F1807</p> <p><input type="checkbox"/> W ½" PEX cold expansion F1960</p> <p><input type="checkbox"/> V ½" Viega PureFlow® PEX</p> <p><input type="checkbox"/> A ½" PEX cold expansion F2080</p> | <p><b>D FRAME PACKAGING</b></p> <p><input type="checkbox"/> F Standard pack (supply box, frame, bracket, debris cover)</p> <p><input type="checkbox"/> R Rough-in pack<sup>2</sup> (supply box, bracket, debris cover)</p> <p>1 Compliant with NSF-61 Annex G and California No Lead Plumbing Law</p> <p>2 Order frame (696-1F) separately.</p> |
|---|--|---|