



Ensemble™

36" (91.4 cm) x 36" (91.4 cm) Shower Receptor
72161100



Features

- Reduced 3.5" step-over threshold height creates a safe entrance and exit for aging population.
- Durable high gloss finish.
- 36" (914 mm) x 36" (914 mm) x 3-1/2" (89 mm) unit finished dimensions.

Material

- Compression molded from our exclusive Vikrell® material.

Installation

- Suitable for tile down application.



Codes/Standards

CSA B45.5/IAPMO Z124
ASTM E162
ASTM E662



STERLING® Warranty - Fixtures Made of Solid Vikrell Material

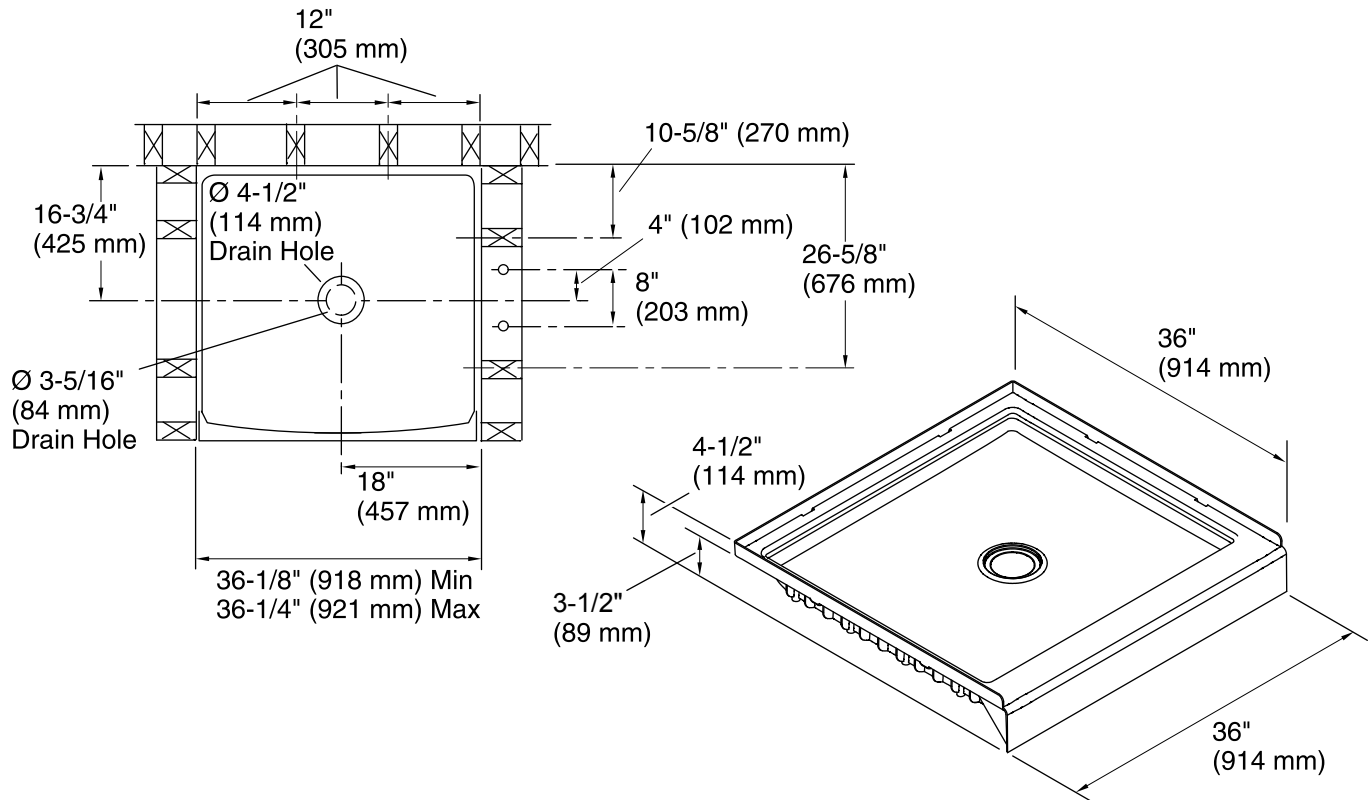
See website for detailed warranty information.

Available Color/Finishes

Color tiles intended for reference only.

Color	Code	Description
-------	------	-------------

- | | | |
|--|----|---------|
|  | 0 | White |
|  | 96 | Biscuit |



Technical Information

All product dimensions are nominal.
 Installation: 3-Wall Alcove
 Drain location: Center
 Basin area, bottom: 27-13/16" x 30-5/16" (706 mm x 770 mm)
 Weight: 25 lbs (11.3 kg)

Notes

Install this product according to the installation guide.
 Double studding is recommended for pivot shower door installations.
 Studs should be positioned as shown.