

Wastewater

WRS-5



(Pump Only)

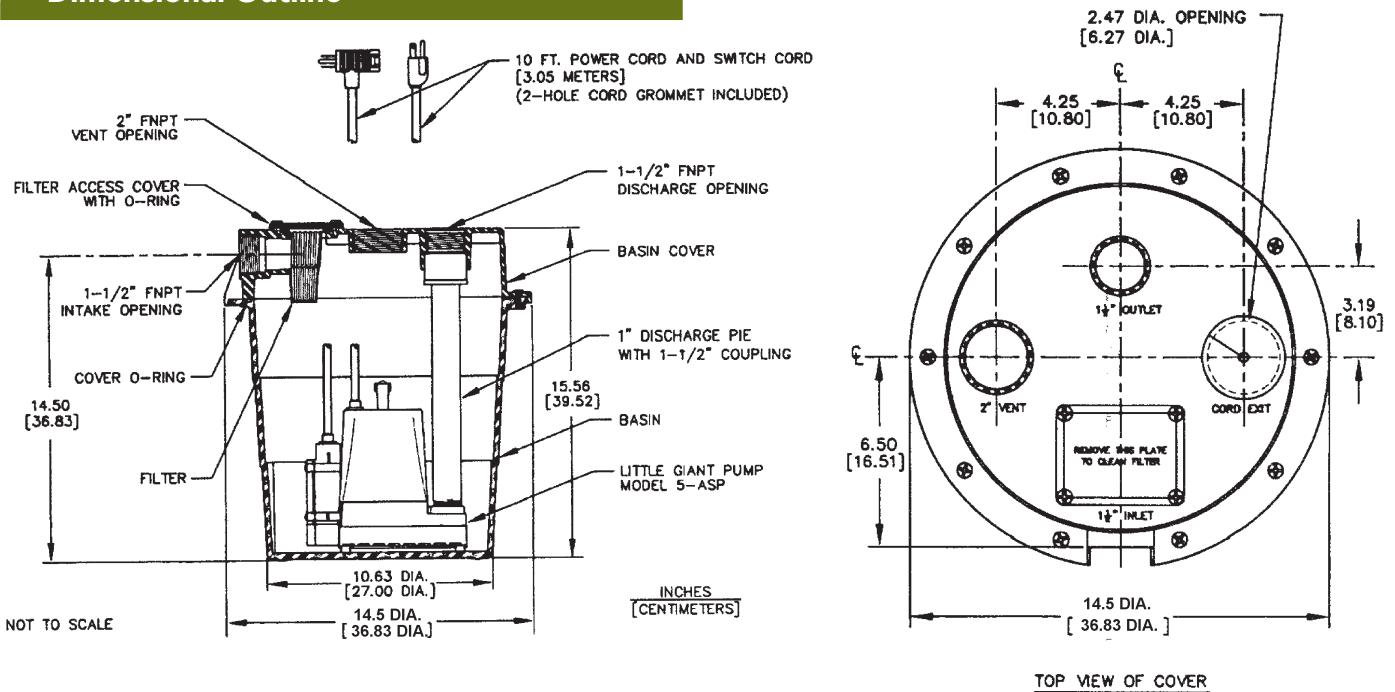
Applications

Impractical gravity drainage areas, under sinks, laundry trays

Features

- Pump made of cast aluminum housing with protective epoxy coating for corrosion resistance
- Screened intake
- 1/6 HP motor with thermal overload protection
- Automatic diaphragm pressure switch enclosed in nylon housing with "on" level at 6"-9" and "off" level at 1"-4"
- Basin made of polypropylene – light weight, and corrosion resistant
- Basin designed with O-rings to provide a water-tight seal
- Basin cover comes with a removable filter screen for easy cleaning
- Cover comes with 1-1/2" FNPT discharge opening, a 1-1/2" FNPT intake opening and a 2" FNPT vent opening
- IAPMO listed basin
- Pre-assembled, ready to be installed

Dimensional Outline



Specifications

Model No.	Item No.	Discharge	Hertz	Listing	HP	Volts	Hz.	Running Amps/Watts	Flow (GPM @ Head)			Shutoff Head (ft.)	Weight (lbs.)	Dimensions
									5'	10'	15'			
WRS-5	505055	1-1/2"	60	UL/CSA - Pump IAPMO - Basin	1/6	115	60	5/380	15	11	8	21	19	14.5 x 15.56

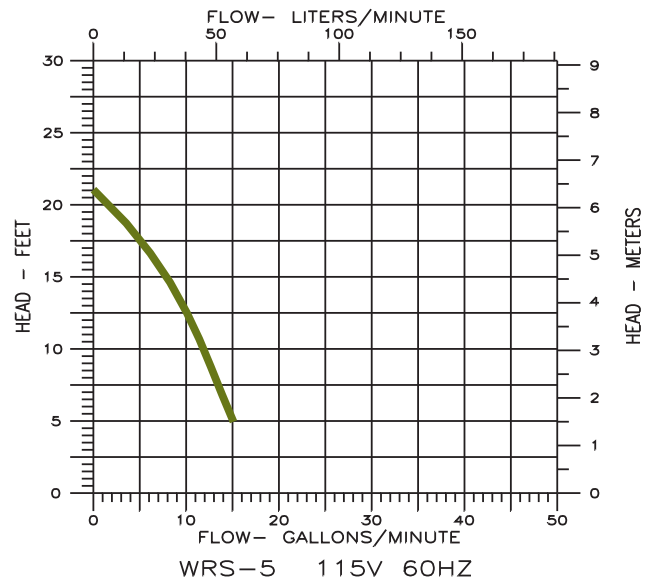
Pump Construction

Motor Housing	Epoxy-coated cast aluminum
Impeller Material	Nylon
Volute	Nylon
Power Cord	18/3, SJTW
Mechanical Shaft Seal	Double lip Viton®
Fasteners	Stainless steel
Shaft	Stainless steel

Basin Construction

Basin/Cover	Polypropylene
Basin Fluid Capacity	5 gallons (approx.)
Discharge Size	1-1/2" FNPT
Intake Size	1-1/2" FNPT
Vent Size	2" FNPT

Performance Curve



Franklin Electric

P.O. Box 12010
Oklahoma City, OK 73157-2010
Phone: 1.800.701.7894
Fax: 1.800.678.7867
www.LittleGiantPump.com



©2009 Franklin Electric Co., Inc.
Little Giant® is a registered trademark of Franklin Electric Co., Inc.
Form 993197 - 07/09