

# PORCHER®

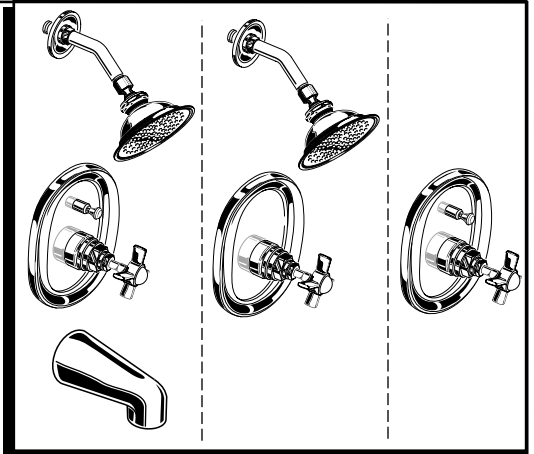
## Installation Instructions

### REPRISE

**BATH/SHOWER WITH PRESSURE BALANCE TEMPERATURE CONTROL VALVE WITH BUILT-IN DIVERTER**

**5535.6XX  
T535.6XX**

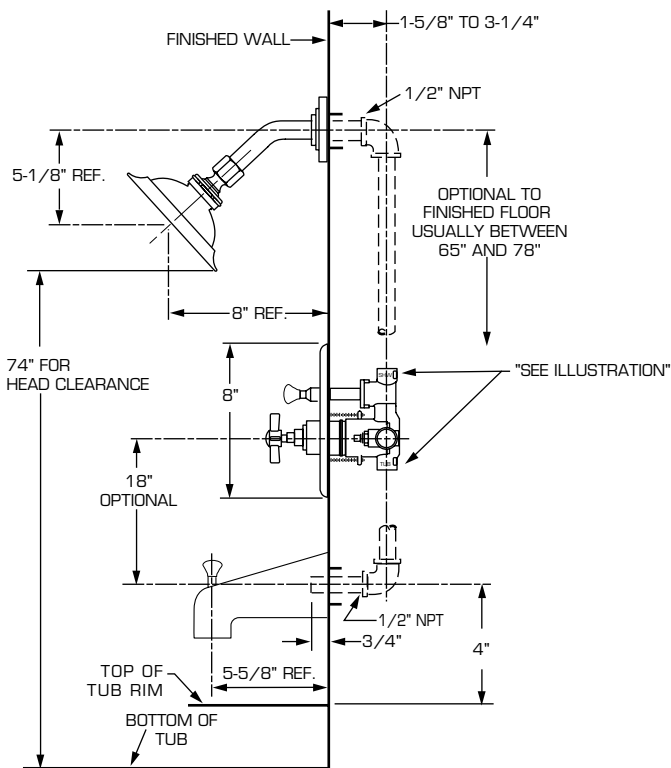
*Thank you for selecting Porcher Products.  
To ensure that your installation proceeds smoothly—please read these instructions carefully before you begin.*



Certified to comply with ANSI A112.18.1

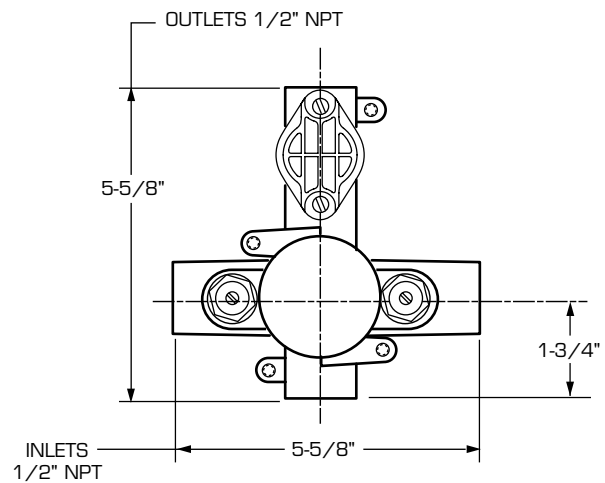
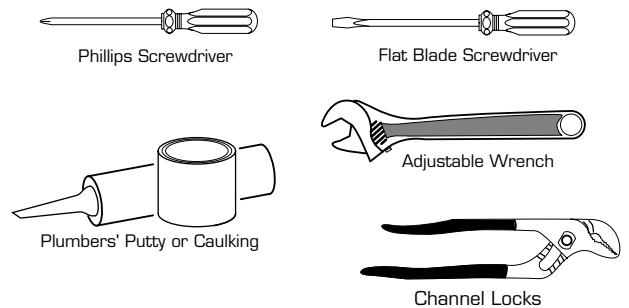
#### ROUGHING-IN DIMENSIONS

- To assure proper positioning in relation to wall, note roughing-in dimensions.



#### Required Tools

M968819



**THREADED INLETS (STOPS)**

## 1

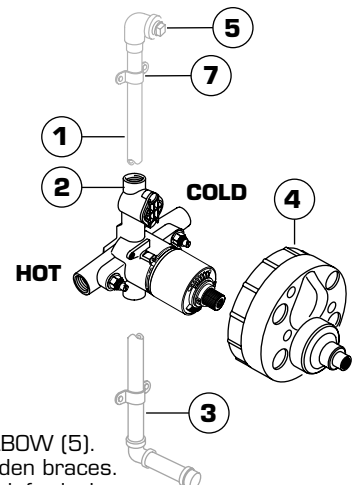
### ROUGHING-IN

### CAUTION

Turn off water at main supply.

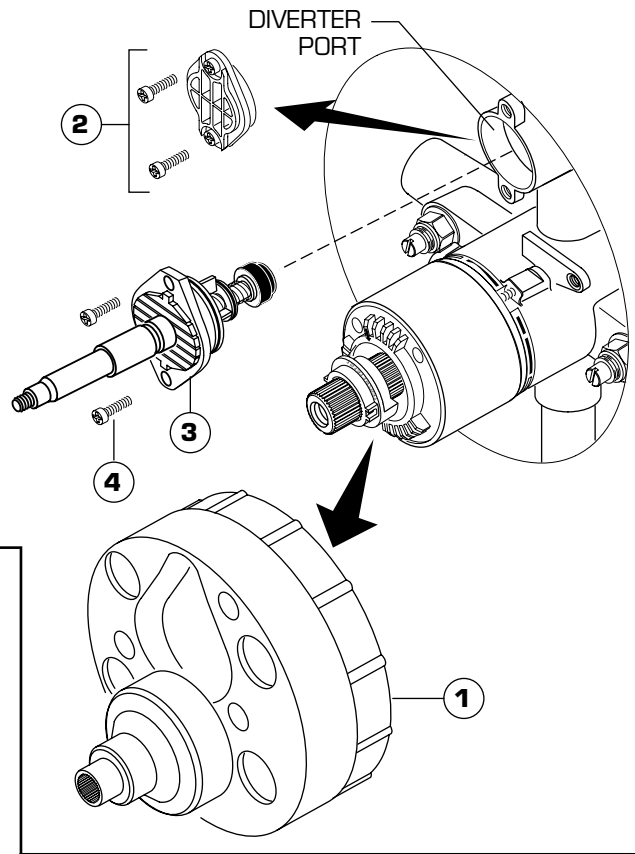
**NOTE** When soldering, remove **PLASTER GUARD, CARTRIDGES** and **CHECK STOPS**. When finished soldering, flush valve body, replace cartridges, check stops and plaster guard to continue installation. Use thread sealant or Teflon tape on threaded connections.

- See Roughing-in diagram before starting.
- Connections are:
  - 1/2" female NPT for threaded inlets
- Connect RISER PIPE (1) to MANIFOLD (2) top outlet marked "SHR".
- Connect TUB FILLER PIPE (3) at bottom outlet marked "TUB".
- For proper positioning the finished wall must be within side wall of PLASTER GUARD (4).
- If the valve is installed on a fiberglass or other thin wall application, the PLASTER GUARD (4) can be used as a support.
  - Cut a 4" dia. hole in the shower stall.
  - Drill two additional 1" holes to allow access to the stops.
  - Remove PLASTER GUARD (4), rotate 180° so that indicated screw holes fit MANIFOLD (2).
  - Push CAP on valve, place ESCUTCHEON on and attach with screws.
- Connect hot and cold water supplies.
- Cap off TUB FILLER PIPE (3) and plug SHOWER ELBOW (5).
- For support, use pipe BRACES (7) secured to wooden braces.
- With valve turned off, turn on water supplies. Check for leaks.



## 2 INSTALL DIVERTER (Models 5535.602, 5535.600 and T535.602 only)

- When finished tiling the wall, remove PLASTER GUARD (1). Remove two screws that secure the DIVERTER LID (2) and remove Lid. Inspect the inside surface of diverter port. Diverter port must be free of any dirt. Clean if necessary.
- Install DIVERTER (3) with SCREWS (4) removed from DIVERTER LID (2).
- Operate DIVERTER (3). DIVERTER (3) should slide in and out smoothly.



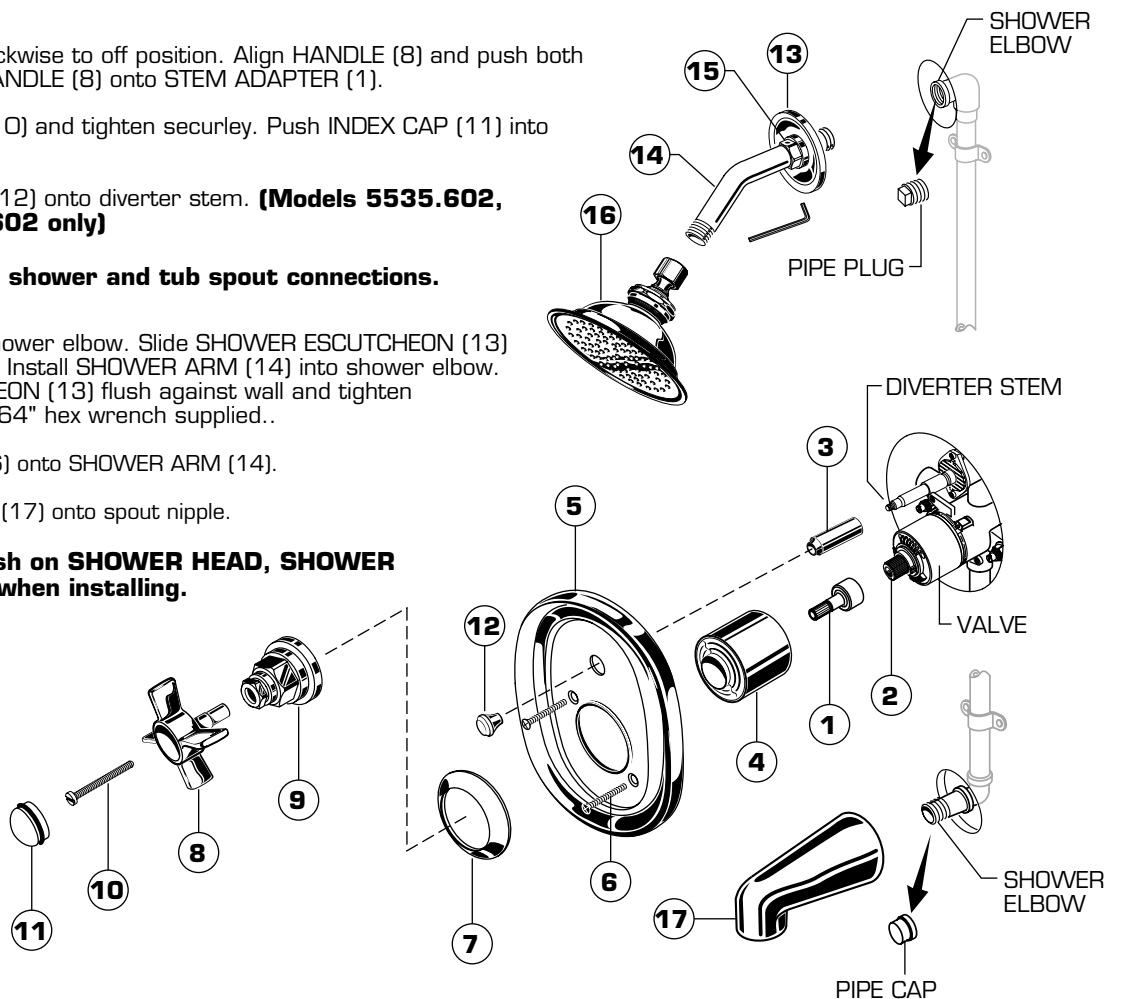
## 3 INSTALL TRIM

- Push on DIVERTER COVER (3). (Models 5535.602, 5535.600 and T535.602 only)
- Install STEM ADAPTER (1) on VALVE STEM (2). Push CAP (4) on valve.
- Place ESCUTCHEON (5) onto CAP (4) and attach with SCREWS (6).
- Push DECORATIVE RING (7) onto CAP (4) until seated flush against ESCUTCHEON (5).
- Turn VALVE STEM (1) clockwise to off position. Align HANDLE (8) and push both HANDLE BASE (9) and HANDLE (8) onto STEM ADAPTER (1).
- Install HANDLE SCREW (10) and tighten securely. Push INDEX CAP (11) into HANDLE (8).
- Thread DIVERTER KNOB (12) onto diverter stem. (Models 5535.602, 5535.600 and T535.602 only)

**Note: Apply sealant to shower and tub spout connections.**

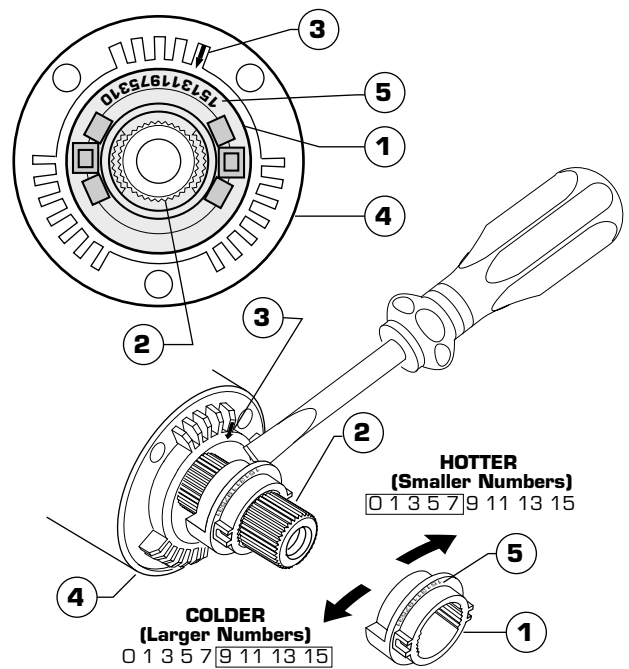
- Remove pipe plug from shower elbow. Slide SHOWER ESCUTCHEON (13) onto SHOWER ARM (14). Install SHOWER ARM (14) into shower elbow. Push SHOWER ESCUTCHEON (13) flush against wall and tighten SET SCREW (15) with 5/64" hex wrench supplied..
- Thread SHOWER HEAD (16) onto SHOWER ARM (14).
- Thread TUB FILLER SPOUT (17) onto spout nipple.

**CAUTION: Protect finish on SHOWER HEAD, SHOWER ARM and TUB SPOUT when installing.**



## 4 ADJUST HOT LIMIT STOP

- By restricting HANDLE rotation and limiting the amount of hot water allowed to mix with the cold, the HOT LIMIT SAFETY STOP (1) reduces risk of accidental scalding. To set the maximum hot water temperature of your faucet, all you need to do is adjust the setting on the HOT LIMIT SAFETY STOP (1).
- Turn CARTRIDGE STEM (2) to the OFF position before making adjustment to HOT LIMIT STOP (1). Use a flat blade screwdriver to pry free the HOT LIMIT SAFETY STOP (1). Pull forward and rotate counterclockwise one number to limit hot water temperature. Use ARROW (3) on CARTRIDGE (4) and NUMBERS (5) on HOT LIMIT STOP (1) for indication.



## 5 TO GAIN ACCESS TO VALVE FOR SERVICING

- Pull INDEX CAP, unscrew HANDLE SCREW and pull HANDLE off valve stem.
- Remove two SCREWS holding ESCUTCHEON and remove ESCUTCHEON. Remove COVER by pulling straight out.
- Shut off water supply by either closing off main water supply, or closing off the hot and cold CHECK STOPS on valve.

### VALVE LEAKS WHEN SHUT OFF

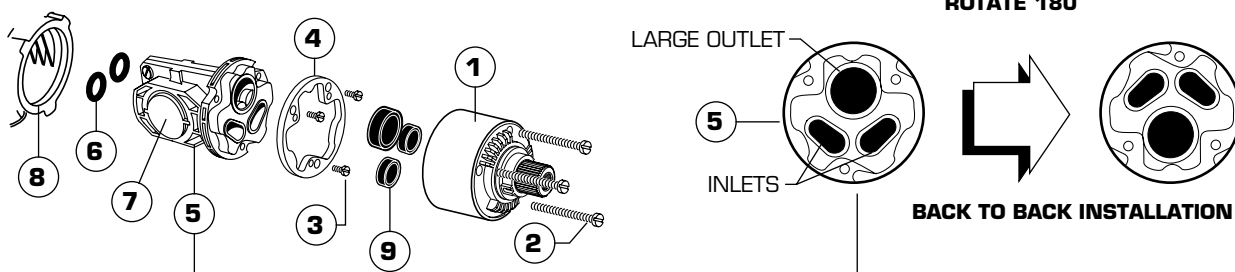
- Remove CARTRIDGE (1) by removing CARTRIDGE SCREWS (2). Remove three SCREWS (3) from FIXATION RING (4) and pull out PRESSURE BALANCING (5) unit.
- Clean SEALS (9) on base of CARTRIDGE (1). Check base of PRESSURE BALANCING UNIT (5) and clean O-RINGS (6). Remove CAPS (7) and check O-RINGS on inside of CAPS (7). Clean inside sealing surfaces of VALVE BODY (8).
- Re-assemble PRESSURE BALANCING UNIT (5) and CARTRIDGE (1). Tighten all screws.
- Turn on water supply and see above for installing TRIM and HANDLE.

### UNABLE TO MAINTAIN CONSTANT TEMPERATURE

- Remove PRESSURE BALANCE UNIT (5). Remove CAPS (7) and clean valve thoroughly.
- Examine balancing unit and check condition of O-ring on end of piston. Piston should move back and forth. Order Repair Part M952100-0070A if balancing unit is defective.
- Replace CAPS (7) and install PRESSURE BALANCE UNIT (5). Make sure inlets line up with two holes in bottom of casting. Top flange should butt-up against top of casting.

### BACK TO BACK INSTALLATION

- Remove PRESSURE BALANCE UNIT (5). Rotate PRESSURE BALANCE UNIT (5) 180° so that the inlets face up and the large outlet port faces down.
- Push PRESSURE BALANCE UNIT (5) in casting make sure inlets line up with holes in bottom of casting. Top flange should butt up against top of casting.
- Reassemble FIXATION RING (4) and CARTRIDGE (1).



## 6 CARE INSTRUCTIONS:

- DO: SIMPLY RINSE THE PRODUCT CLEAN WITH CLEAR WATER. DRY WITH A SOFT COTTON FLANNEL CLOTH.**
- DO NOT: CLEAN THE PRODUCT WITH SOAPS, ACID, POLISH, ABRASIVES, HARSH CLEANERS, OR A CLOTH WITH A COARSE SURFACE.**

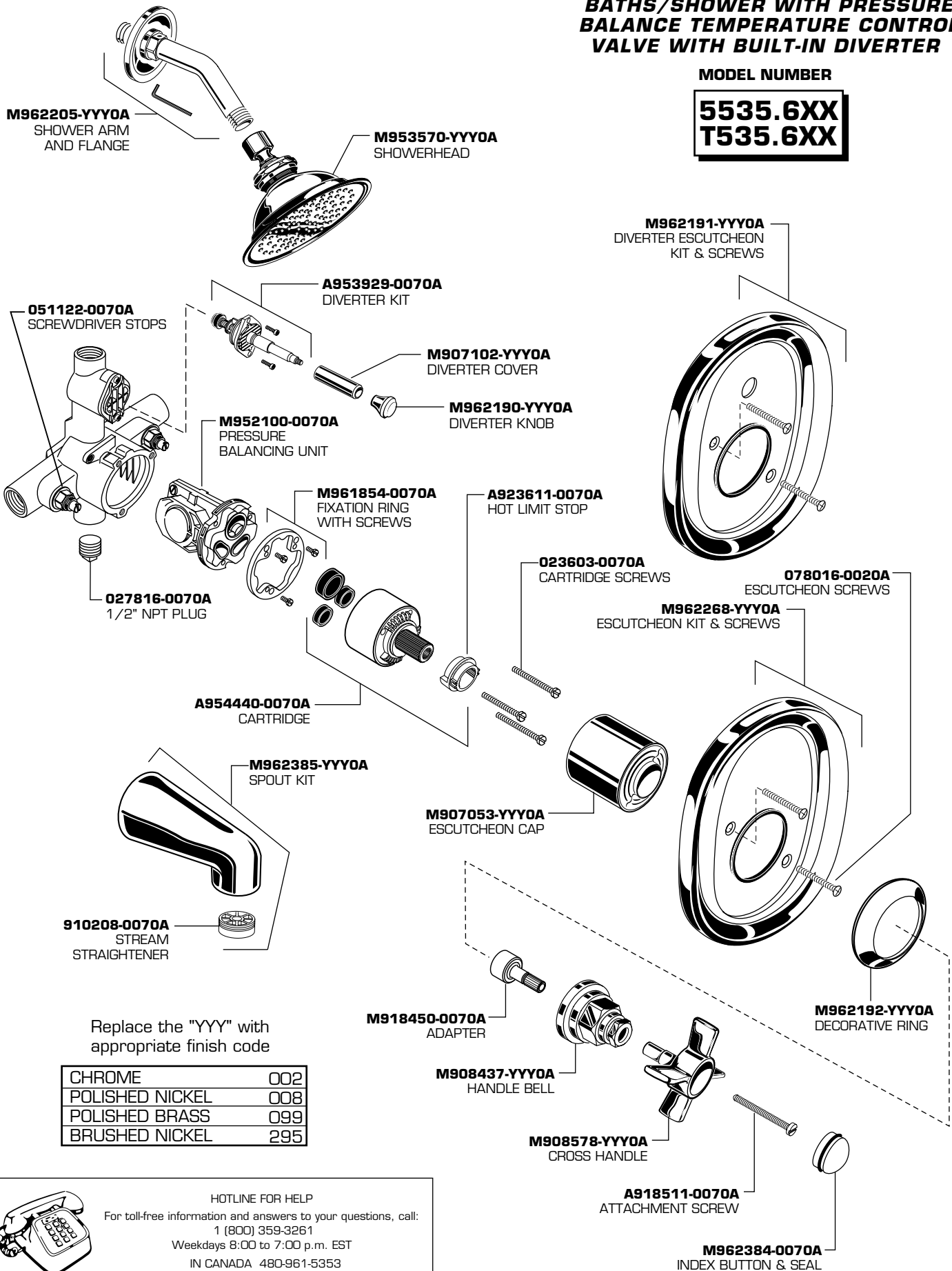
# PORCHER®

## REPRISE

**BATHS/SHOWER WITH PRESSURE  
BALANCE TEMPERATURE CONTROL  
VALVE WITH BUILT-IN DIVERTER**

MODEL NUMBER

**5535.6XX  
T535.6XX**



Replace the "YYY" with appropriate finish code

CHROME	002
POLISHED NICKEL	008
POLISHED BRASS	099
BRUSHED NICKEL	295



**HOTLINE FOR HELP**

For toll-free information and answers to your questions, call:

1 (800) 359-3261

Weekdays 8:00 to 7:00 p.m. EST

IN CANADA 480-961-5353

Product names listed herein are trademarks of Porcher, Ltd.  
©Porcher, Ltd. 2005

M968819