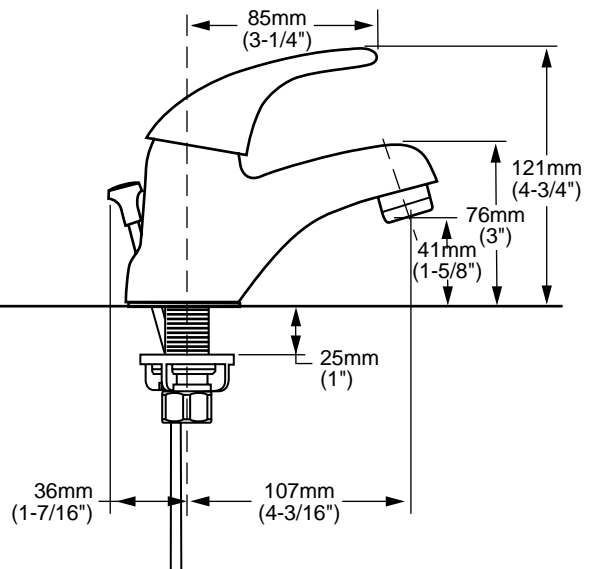
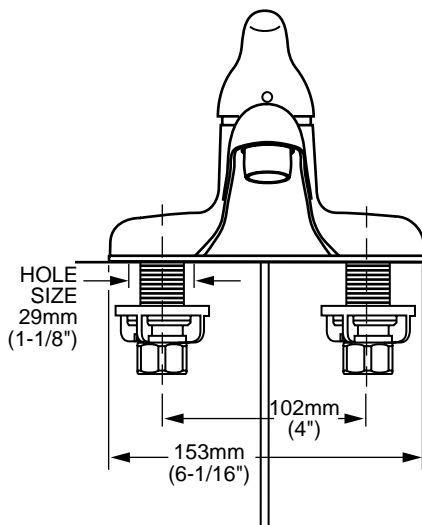


American Standard



2175.500 Shown.



GENERAL DESCRIPTION:

Single control lavatory faucet on 4" centers. Washerless 40mm ceramic disc valve cartridge. Cast brass waterway with 1/2" male threaded inlet shanks. Metal body. 2.2 gpm/8.3L/min. maximum flow rate. Metal lever handle with large "comfort zone".

PRODUCT FEATURES:

Cast Brass Waterways with "City Shanks": Strong and durable. Integral tabs on casting provide a wobble-free installation.

Ceramic Disc Valve Cartridge: Assures a lifetime of drip-free performance.

Low Lead: Meets NSF Standard 61/Section 9 & Prop 65 lead requirements.

Longer Spout: Provides extended reach into lavatory.

Memory Position Valving: Allows user to turn valve on and off at preferred temperature setting without readjusting handle position each time.

Large "Comfort Zone": Allows easy fine tuning of temperature.

Simple Installation: Fast and easy one person installation. Faucet drops in from top. Quick spin nuts secure faucet in place.

SUGGESTED SPECIFICATION:

Single control lavatory fitting shall feature cast brass waterways. Shall also feature washerless 40mm ceramic disc valve cartridge. Fitting shall be American Standard Model # 2175.____.____.



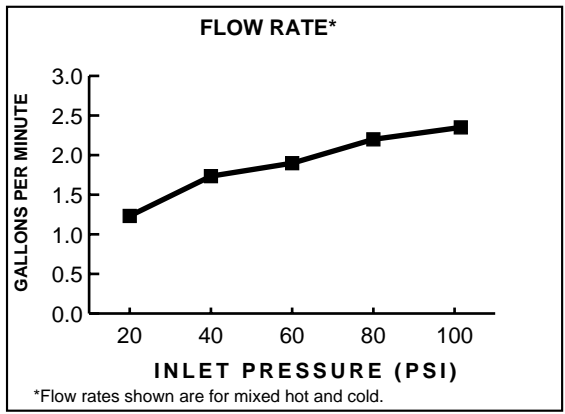
Colony Soft

SINGLE CONTROL LAVATORY FAUCET

CODES AND STANDARDS

These products meet or exceed the following codes and standards:

- ANSI A117.1
- ASME A112.18.1M
- NSF 61/Section 9
- CSA B 125



Product Number	Description	Finish Options		
		Polished Chrome	PVD Polished Brass	P.Chrome /PVD Brass Mix
		002	099	299
2175.500	Lavatory faucet. 50/50 Pop-up drain.			
2175.502	Lavatory faucet. Metal Pop-up drain.			
2175.505	Lavatory faucet. Less drain. With pop-up rod and hole.		N/A	N/A
2175.504	Lavatory faucet. Less drain. Less pop-up rod and hole.		N/A	N/A

N/A = NOT AVAILABLE

Meets the American Disabilities Act Guidelines and **ANSI A117.1** Requirements for the physically challenged.