



Standard Seal Only Couplings for Steel Pipe 1/2" - 24" Nominal Pipe Sizes

Smith-Blair Standard Couplings for Steel Pipe are designed with push on gaskets. They are engineered to simplify installation and ensure a tight seal.

The standard couplings can be used to connect IPS steel pipes with 1/2" thru 24" diameters.

Material Specifications for 1/2" - 1 1/2":

Sleeve: Carbon Steel having a minimum yield of 30,000 psi.
Followers: Ductile Iron ASTM A536
Gasket: Nitrile (Buna N) or SBR
Bolts & Nuts: Same as below.
Finish: Same as below.

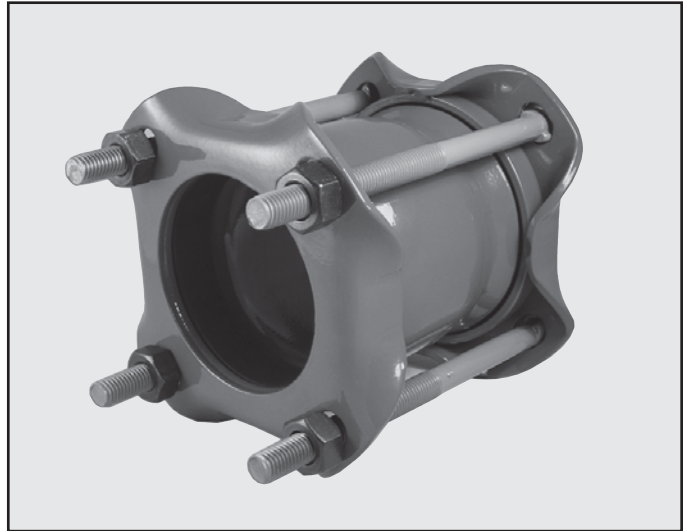
Material Specifications are subject to change.

Material Specifications for 2" - 12":

Middle Ring: Carbon Steel: AISI C-1008 ERW, ASTM A-513 Hydrostatically or Eddy Current Tested
Followers: Steel: AISI C-1010 hot rolled sheet
Gaskets: SBR ***Plain and Conductive**
 Durometer: 70-75 Shore A
 Tensile: 1600 PSI, Min.
 Elongation: 200%, Min.
 Compression Set-
 ASTM D395-Method B: 15%, Max.
Conductive Only:
 Brass springs for conductivity
***Resistance To:**
 Natural Gas, Natural Gas Odorants, Carbon Dioxide, Water, U.V., Ozone
Temperature: -20°F-150°F
Bolts: 1/2" Trackhead (1/2" to 1-1/2" sizes)
 5/8" Trackhead (2" to 12" sizes)
 Steel: Minimum tensile 70,000 PSI
Nuts: Steel: ASTM A-563 Grade A
Pressure Rating: 1/2" thru 1-1/2" 150 psig
 2" thru 12" 400 psig
Finish: Shop Coat Primer or Flexi-Coat®
 Fusion Bonded Epoxy

Material Specifications are subject to change.

Larger sizes are available upon request. Contact Smith-Blair, Inc. for more information.



Features:

- Simple to install
- No special tools or training
- Plain or conductive gaskets available
- Pipes may be misaligned during installation
- Shop coat primer or fusion bonded epoxy coating finish available

Smith-Blair, Inc. products are marked in accordance with D.O.T. Regulation 192, Paragraph 192.63 (A) (2).

Installation Instructions:

1. Clean pipe surface free of dirt, oil, grease, laquer, and any other contaminants. Wrapped and coated pipe should be cut back a distance equal to overall length of coupling. **Pipe must be free of longitudinal gouges.**
2. Soap gaskets and pipes.
3. By stab of disassembly, center the coupling between the pipes.
4. Torque nuts evenly to the following values:
 1/2" Bolt-30 Ft. Lbs Min. 5/8" Bolt-80 Ft. lbs Min.

For Sealing Purposes Only

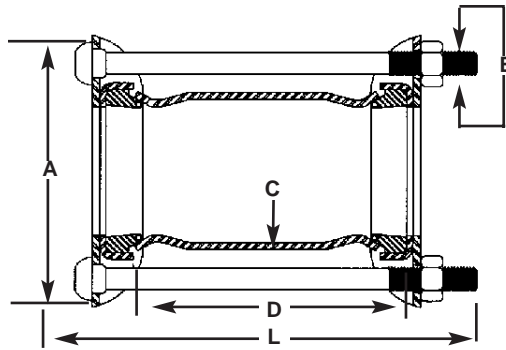
Where pipe pullout might occur, use Maxi-Grip™ couplings or Rod and Lug Harness Devices.



Standard Seal Only Couplings for IPS Steel Pipe

Plain and Conductive Gaskets - SBR

1/2" - 12" Nominal Pipe Sizes



PIPE		Catalog Number	FOLLOWER	SLEEVE		BOLTS			Wgt.
Nom. Size	O.D.		Dia "A"	Thickness "C"	Length "D"	Dia. "B"	Length "L"	No.	
1/2"	.840	E058A5	3-3/8	.120	5	1/2	7	2	2.0
		E058A7	3-3/8	.120	7	1/2	9	2	3.0
		E058A12	3-3/8	.120	12	1/2	14	2	3.0
3/4"	1.050	E078A5	3-15/16	.120	5	1/2	7	2	2.0
		E078A7	3-15/16	.120	7	1/2	9	2	3.0
		E078A12	3-15/16	.120	12	1/2	14	2	3.0
1"	1.315	E08A5	4-1/2	.120	5	1/2	7	2	3.3
		E08A7	4-1/2	.120	7	1/2	9	2	4.0
		E08A12	4-1/2	.120	12	1/2	14	2	5.5
1-1/4"	1.660	E18A5	4-5/8	.120	5	1/2	7	2	4.0
		E18A7	4-5/8	.120	7	1/2	9	2	5.0
		E18A12	4-5/8	.120	12	1/2	14	2	7.0
1-1/2"	1.900	E108A5	4-7/8	.120	5	1/2	7	2	4.0
		E108A7	4-7/8	.120	7	1/2	9	2	5.5
		E108A12	4-7/8	.120	12	1/2	14	2	7.5
2"	2.375	E28A5L	6-5/16	.156	5	1/2	2	2	6.5
		E28A5	6-3/4	.156	5	5/8	3	3	6.5
		E28A7L	6-5/16	.156	7	1/2	10.5	2	9.5
		E28A7	6-3/4	.156	7	5/8	11	3	8
		E28A12L	6-5/16	.156	12	1/2	15	2	13
		E28A12	6-3/4	.156	12	5/8	15	3	13
		E28A24	6-3/4	.156	24	5/8	27	3	25
2-1/2"	2.875	E208A5	7-1/2	.156	5	5/8	9	3	10
		E208A7	7-1/2	.156	7	5/8	11	3	11
		E208A12	7-1/2	.156	12	5/8	15	3	14
		E208A24	7-1/2	.156	24	5/8	27	3	24
3"	3.500	E38A5L	7-1/2	.156	5	5/8	9	3	14
		E38A5	7-5/8	.156	5	5/8	9	4	16
		E38A7L	7-1/2	.156	7	5/8	11	3	15
		E38A7	7-5/8	.156	7	5/8	11	4	16
		E38A12	7-5/8	.156	12	5/8	15	4	26
		E38A24	7-5/8	.156	27	5/8	27	4	35
4"	4.500	E48A5	8-1/2	.188	5	5/8	9	4	16
		E48A7	8-1/2	.188	7	5/8	11	4	17
		E48A12	8-1/2	.188	12	5/8	15	4	27
		E48A24	8-1/2	.188	24	5/8	27	4	38
5"	5.563	E58A5	11	.250	5	5/8	9	6	25
		E58A7	11	.250	7	5/8	11	6	31
		E58A12	11	.250	12	5/8	15	6	39
		E58A16	11	.250	16	5/8	19	6	39

For Epoxy Coating, add "S" to end of Catalog Number.

For Plain Gaskets, add "P" to end of Catalog Number.

For Bonding Gaskets, add "B" to end of Catalog Number.

When ordering, specify size, catalog number and gasket type.



Standard Seal Only Couplings for IPS Steel Pipe

Plain and Conductive Gaskets - SBR

1/2" - 12" Nominal Pipe Sizes

PIPE		Catalog Number	FOLLOWER	SLEEVE		BOLTS			Wgt.
Nom. Size	O.D.		Dia "A"	Thickness "C"	Length "D"	Dia. "B"	Length "L"	No.	
6"	6.625	E68B5	11	.250	5	5/8	9	6	25
		E68B7	11	.250	7	5/8	11	6	31
		E68B12	11	.250	12	5/8	15	6	39
		E68B16	11	.250	16	5/8	19	6	50
		E68B24	11	.250	24	5/8	27	6	65
6-5/8"	7.000	E78B5	11	.250	5	5/8	9	6	25
		E78B7	11	.250	7	5/8	11	6	28
		E78B16	11	.250	16	5/8	19	6	45
8"	8.625	E88B5	13-1/2	.250	5	5/8	9	6	34
		E88B7	13-1/2	.250	7	5/8	11	6	41
		E88B12	13-1/2	.250	12	5/8	15	6	56
		E88B16	13-1/2	.250	16	5/8	19	6	63
		E88B24	13-1/2	.250	24	5/8	27	6	72
10"	10.750	E1008B5	14-3/4	.250	5	5/8	9	8	41
		E1008B7	14-3/4	.250	7	5/8	11	8	50
		E1008B12	14-3/4	.250	12	5/8	15	8	60
		E1008B16	14-3/4	.250	16	5/8	19	8	67
		E1008B24	14-3/4	.250	24	5/8	27	8	102
12"	12.750	E1208B5	16-3/4	.250	5	5/8	9	8	47
		E1208B7	16-3/4	.250	7	5/8	11	8	53
		E1208B12	16-3/4	.250	12	5/8	15	8	68
		E1208B16	16-3/4	.250	16	5/8	19	8	88
		E1208B24	16-3/4	.250	24	5/8	27	8	122

For Epoxy Coating, add "S" to end of Catalog Number.

For Plain Gaskets, add "P" to end of Catalog Number.

For Bonding Gaskets, add "B" to end of Catalog Number.

When ordering, specify size, catalog number and gasket type.

Standard Seal Only Couplings for IPS Steel Pipe

Conductive Gaskets - SBR

14" - 24" Nominal Pipe Sizes



Material Specifications

for 14" - 24":

- Middle Ring:** Carbon steel having a minimum yield of 30,000 psi
- Followers:** Steel: AISI C-1010 hot rolled sheet
- Gaskets:** SBR **Conductive:** Brass springs for conductivity
Optional: Insulated gasket
- Temperature** -20°F-180°F
- Bolts & Nuts:** High strength, low-alloy steel with heavy, semi-finished hexagon nuts.
- Pressure Rating:** Up to 60 PSI for cast iron sizes
Up to 150 PSI for steel sizes ®
- Finish:** Shop Coat Primer or Flexi-Coat
Fusion Bonded Epoxy

Material Specifications are subject to change.

Larger sizes are available upon request. Contact Smith-Blair, Inc. for more information.

See part numbers on page 4.



Standard Seal Only Couplings for IPS Steel Pipe

Conductive Gaskets - SBR

14" - 24" Nominal Pipe Sizes

PIPE		Catalog Number	SLEEVE		BOLTS			Wt. Each Lbs.
Nom. Size	O.D. Inches		Thickness	Length	Dia.	Length	No.	
14"	14.00	E1408A5	1/4	5	5/8	8	6	42
		E1408A7	1/4	7	5/8	10.5	6	50
		E1408B7	3/8	7	5/8	10.5	6	77
		E1408B10	3/8	10	5/8	10.5	6	96
		E1408B16	3/8	16	5/8	10.5	6	129
		E1408B24	3/8	24	5/8	10.5	6	176
16"	16.00	E1608A7	1/4	7	5/8	10.5	8	42
		E1608B7	3/8	7	5/8	10.5	8	50
		E1608A10	1/4	10	5/8	13.5	8	77
		E1608B10	3/8	10	5/8	13.5	8	96
		E1608B16	3/8	16	5/8	19.5	8	129
		E1608B24	3/8	24	5/8	27.5	8	176
18"	18.00	E1808A7	1/4	7	5/8	10.5	8	69
		E1808B7	3/8	7	5/8	10.5	8	89
		E1808A10	1/4	10	5/8	13.5	8	74
		E1808B10	3/8	10	5/8	13.5	8	110
		E1808B16	3/8	16	5/8	19.5	8	149
		E1808B24	3/8	24	5/8	27.5	8	202
20"	20.00	E2008A7	1/4	7	5/8	10.5	10	68
		E2008B7	3/8	7	5/8	10.5	10	89
		E2008A10	1/4	10	5/8	13.5	10	74
		E2008B10	3/8	10	5/8	13.5	10	110
*22"	20.00	E2008B16	3/8	16	5/8	19.5	10	149
		E2008B24	3/8	24	5/8	27.5	10	202
		E2208A7	1/4	7	5/8	10.5	10	83
		E2208B7	3/8	7	5/8	10.5	10	98
		E2208A10	1/4	10	5/8	13.5	10	111
		E2208B10	3/8	10	5/8	13.5	10	121
		E2208B16	3/8	16	5/8	19.5	10	163
		E2208B24	3/8	24	5/8	27.5	10	223
*24"	24.00	E2408A7	1/4	7	5/8	10.5	10	110
		E2408B7	3/8	7	5/8	10.5	10	129
		E2408A10	1/4	10	5/8	13.5	10	147
		E2408B10	3/8	10	5/8	13.5	10	161
		E2408B16	3/8	16	5/8	19.5	10	217
		E2408B24	3/8	24	5/8	27.5	10	296

*Couplings use conductive wire attached to the M-ring and flange.
When ordering, specify size, catalog number and gasket type.
Larger sizes are available upon request.

For Epoxy Coating, add "S" to end of Catalog Number.
For Plain Gaskets, add "P" to end of Catalog Number.
For Bonding Gaskets, add "B" to end of Catalog Number.

Smith-Blair, Inc.

30 Globe Ave.
Texarkana, AR 71854
P.O. Box 5337
Texarkana, TX 75505
Phone: 800-643-9705 • 870-773-5127
Fax: 800-648-6792 • 870-773-5212
www.smith-blair.com

Distributed by: