



The Drain Key™

Removes Corroded Bath Tub Drains

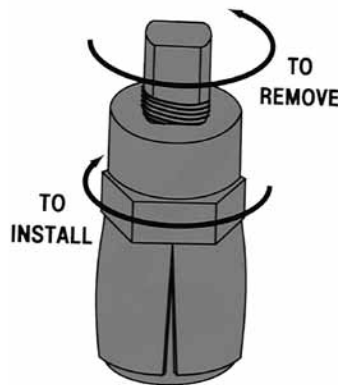
U.S. Patent 6,282,999

It's unique expanding design allows The Drain Key to internally grip in a 360° pattern. The drain Key's steel shoes will not mar chrome or special finishes. Installs and removes tub drains, closet spuds and pipe nipples.

Expands with a crescent wrench to unlock or install:

- Bathtub drains
- 1-1/4" or 1-1/2" Trap (dirty arm) nipples
- 1-1/4" or 1-1/2" closet spuds
- Jr. basket strainers, Jr. duo strainers, tray plug drains and duplex strainers

*Interchangeable steel Drain Key™ shoes sold separately



| PART NUMBER | VOLTS |
|-------------|---------------------------------|
| 4500 | Drain Key |
| 4508 | Replacement set of 3 shoes only |

Smart Dumbbell - The Original

The Original and Still The Best!

Fits all 17 modern tub drain configurations

Installs and removes tub drains and closet spuds



- Installs or removes drains without crossbars (Kohler, American Standard)
- Heavy duty die-cast aluminum
- Prevents scratching of decorative finishes
- Either a crescent wrench or large phillips screwdriver can be used to turn the tool
- Saves time, money and aggravation
- 6" length



| PART NUMBER |
|-------------|
| 4554 |