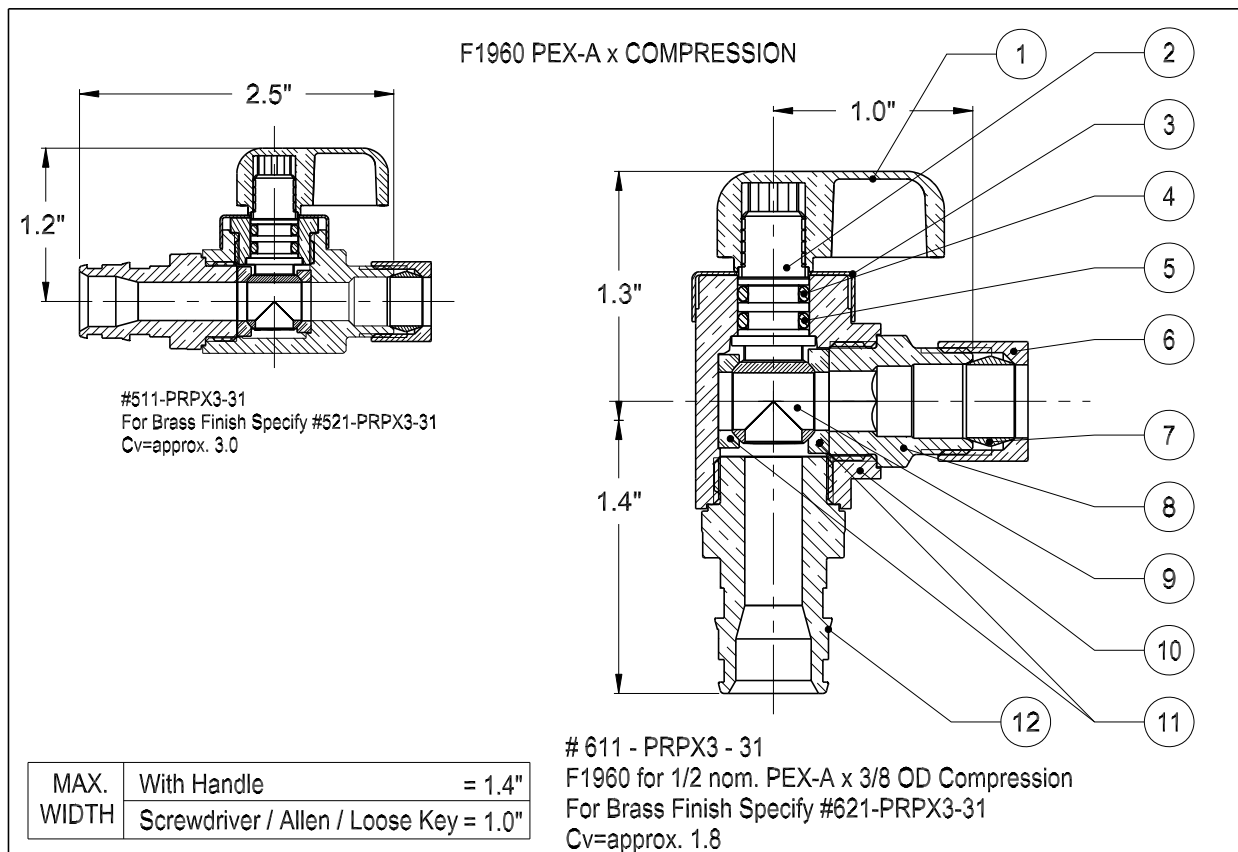


# dahl-ECO mini-ball™ Valve

Plumbing



Text Below Represents Plated Configuration

- |   |   |
|---|---|
| 1. Nickel Plated Zinc Handle                  | 7. Brass Tapered Sleeve                                   |
| 2. C693 Nickel Plated Brass Spindle           | 8. C693 Nickel Plated Brass 3/8 OD Compression End        |
| 3. Nickel Plated Brass Handle Stop Cap        | 9. C693 Plated Brass Ball                                 |
| 4. EPDM O-ring                                | 10. C693 Chrome Plated Brass Body                         |
| 5. Fluorocarbon (FKM) O-ring                  | 11. PTFE Seals  |
| 6. Chrome Plated Brass 3/8 OD Compression Nut | 12. C693 Nickel Plated Brass F1960 End for 1/2 nom. PEX-A |

Working Pressure: 250 psi / 250°F  
depending on pipe material.

 , UPC  
NSF / ANSI 61-G

Designed and Manufactured in  
Canada

Wetted surface area contains <0.1wt% weighted average lead.

Also available with Screwdriver, Allen or Loose Key operation



## dahl brothers canada limited

2600 S. SHERIDAN WAY, MISSISSAUGA, ON, CANADA L5J 2M4  
905-822-2330 CAN 800-268-5355 U.S. 800-268-2363  
FAX(905) 855-1450, USA AND CANADA 800-226-1801  
sales@dahlvalve.com www.dahlvalve.com

We reserve the right to alter prices and/or technical details without notice