



Product information presented here reflects conditions at time of publication. Consult factory regarding discrepancies or inconsistencies.

MAIL TO: P.O. BOX 16347 • Louisville, KY 40256-0347
SHIP TO: 3649 Cane Run Road • Louisville, KY 40211-1961
(502) 778-2731 • 1 (800) 928-PUMP • FAX (502) 774-3624

visit our web site:
<http://www.zoeller.com>



PVC PLASTIC COMPRESSION TYPE UNICHECK

COMPARE THESE FEATURES

- Full flow, non-clog design.
- Checks back-flow of water and sewer gas.
- Durably constructed PVC check body and compression end fittings.
- Compression end fittings allow easy installation. No threading of pipe required.
- Corrosion resistant, nonmetallic parts.
- Buna-N flapper - double shielded with PVC.
- Buna-N Compression ring seals.
- Reduces motor and pump noise from plumbing system.
- Designed for both horizontal and vertical usage.
- Pressure rated at 25 PSI (57')
- Consult factory if use over 130° F required.
- Suitable for installation below basin cover.



P/N 30-0030



P/N 30-0020



P/N 30-0015



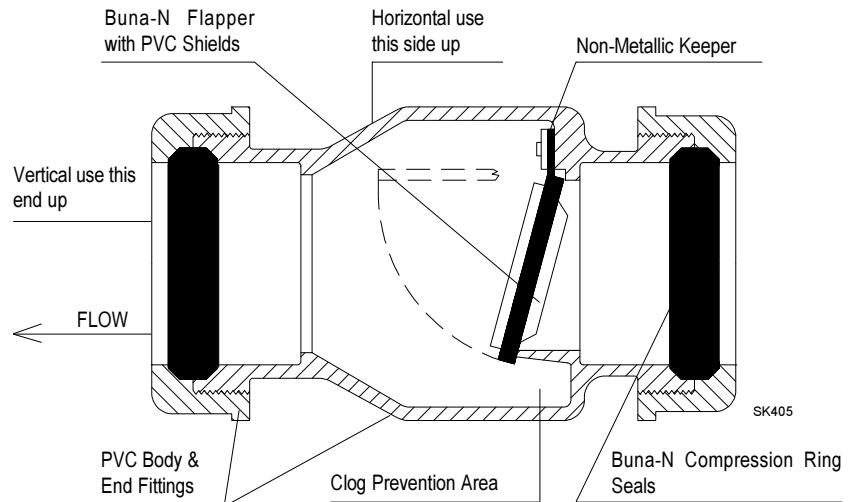
P/N 30-0025*



P/N 30-0204*

*Compression/Union solvent weld end fittings.

PART NUMBER	PIPE SIZE	WEIGHT	LENGTH	CARTON QUANTITY
30-0015	1½ inch	1.5 lbs.	7½ inches	5
30-0204	1½ inch	1 lb.	8 inches	12
30-0020	2 inches	2 lbs.	9¾ inches	8
30-0025	2 inches	2 lbs.	9¾ inches	12
30-0030	3 inches	5 lbs.	14 inches	2

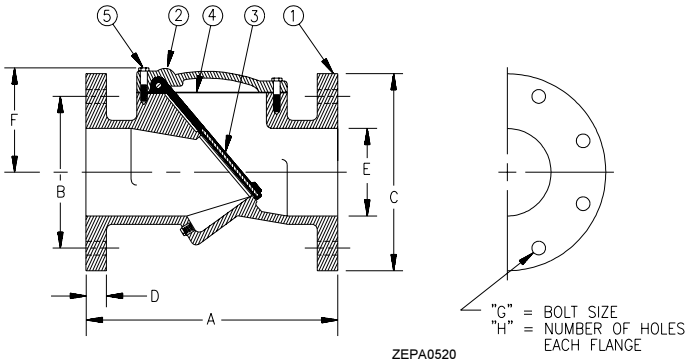


GENERAL CAUTION: Water hammer creates momentary high pressure surges. These surges can cause severe damage to check valves and the piping system. Consideration for water hammer must be included in the piping system design. Reference ASPE Data Book, Chapter 2.33. May require check valves with special non-slam features or other engineered solutions.

3" & 4" FLANGED CHECK VALVES

Features:

- Heavy duty cast iron construction.
- Angled seal for non-slam closure.
- Non-clog design.
- Reinforced disc.
- Drip-tight seating.
- Rated up to 200 PSIG.
- Designed for both horizontal and vertical usage.



PART NO.	PART NAME	MATERIAL
1	BODY	CAST IRON ASTM A126, CLASS B
2	COVER	CAST IRON ASTM A126, CLASS B
3	DISC	BUNA-N W/ STEEL & NYLON REINFORCEMENT
4	GASKET	COMPRESSED NONASBESTOS FIBER
5	COVER BOLT	ALLOY STEEL SAE GRADE 5

Part Number	Valve Size	"A"	"B"	"C"	"D"	"E"	"F"	"G"	"H"	Weight lbs.
6030-0202	3"	9 1/2	6	7 1/2	3/4	3	3 7/8	5/8	4	37
6030-0203	4"	11 1/2	7 1/2	9	15/16	4	4 5/8	5/8	8	63

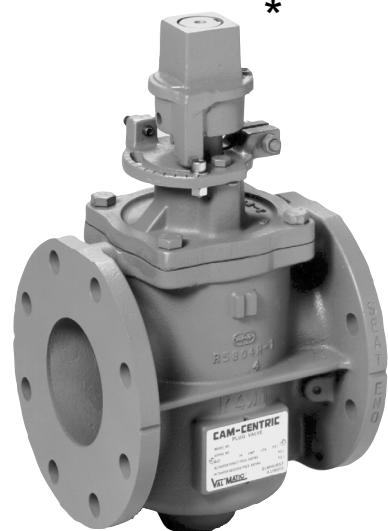
2" - 3" - 4" CAST IRON PLUG VALVES

Threaded Connection - 2" & 3"
Flanged Connection - 3" & 4"



Features:

- Designed to handle solids bearing flows.
- Cast iron housing - rated 175 psi.
- 99% pure nickel welded seat.
- 1/4 turn Buna plug.
- Upper and lower ball bearings.
- Provided with hand lever.



*Hand lever not shown in pictures.

THREADED MODELS				
SIZE	PART NUMBER	WIDTH	HEIGHT	WEIGHT
2"	6030-0082	5-1/4"	7-1/8"	12 LBS.
3"	6030-0083	8-3/4"	14-1/8"	45 LBS.

FLANGED MODELS				
SIZE	PART NUMBER	WIDTH	HEIGHT	WEIGHT
3"	6030-0085	8"	14-1/8"	53 LBS.
4"	6030-0086	9"	16-3/4"	66 LBS.

GENERAL CAUTION: Water hammer creates momentary high pressure surges. These surges can cause severe damage to check valves and the piping system. Consideration for water hammer must be included in the piping system design. Reference ASPE Data Book, Chapter 2.33.