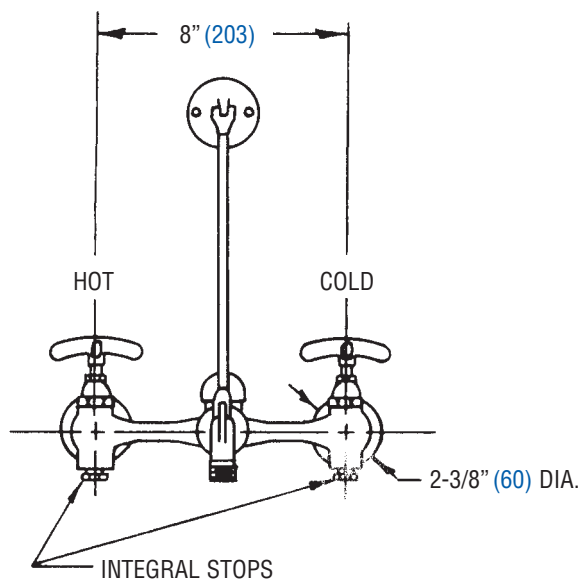
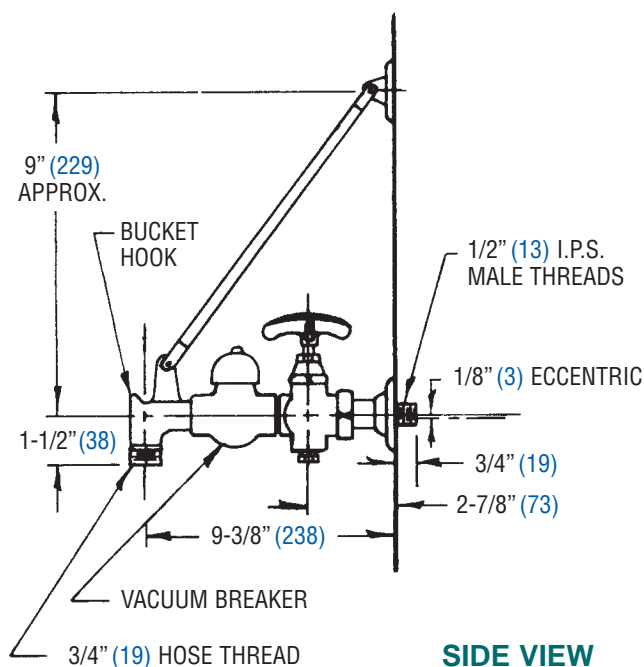


# Service-Sink Faucet Model: 830-AA

FIAT  
PRODUCTS™



FRONT VIEW



SIDE VIEW

**NOTE:** These roughing measurements may vary 1/4" (plus or minus).



**General:**

830-AA Service Faucet - Chrome plated with vacuum breaker, integral stops, adjustable wall brace, pail hook and 3/4" hose thread on spout. Body inlets 8" center to center, four arm handles. Valves contain renewable hub, renewable seats, swivel discs, encased washers and brass washer screws.

**Material:  
Finish:**

Commercial red brass alloy casting-rough finish. Chrome plating exceeding requirements of ANSI/ASTM B-456-71. Indicators cold (blue) and hot (red) are included.

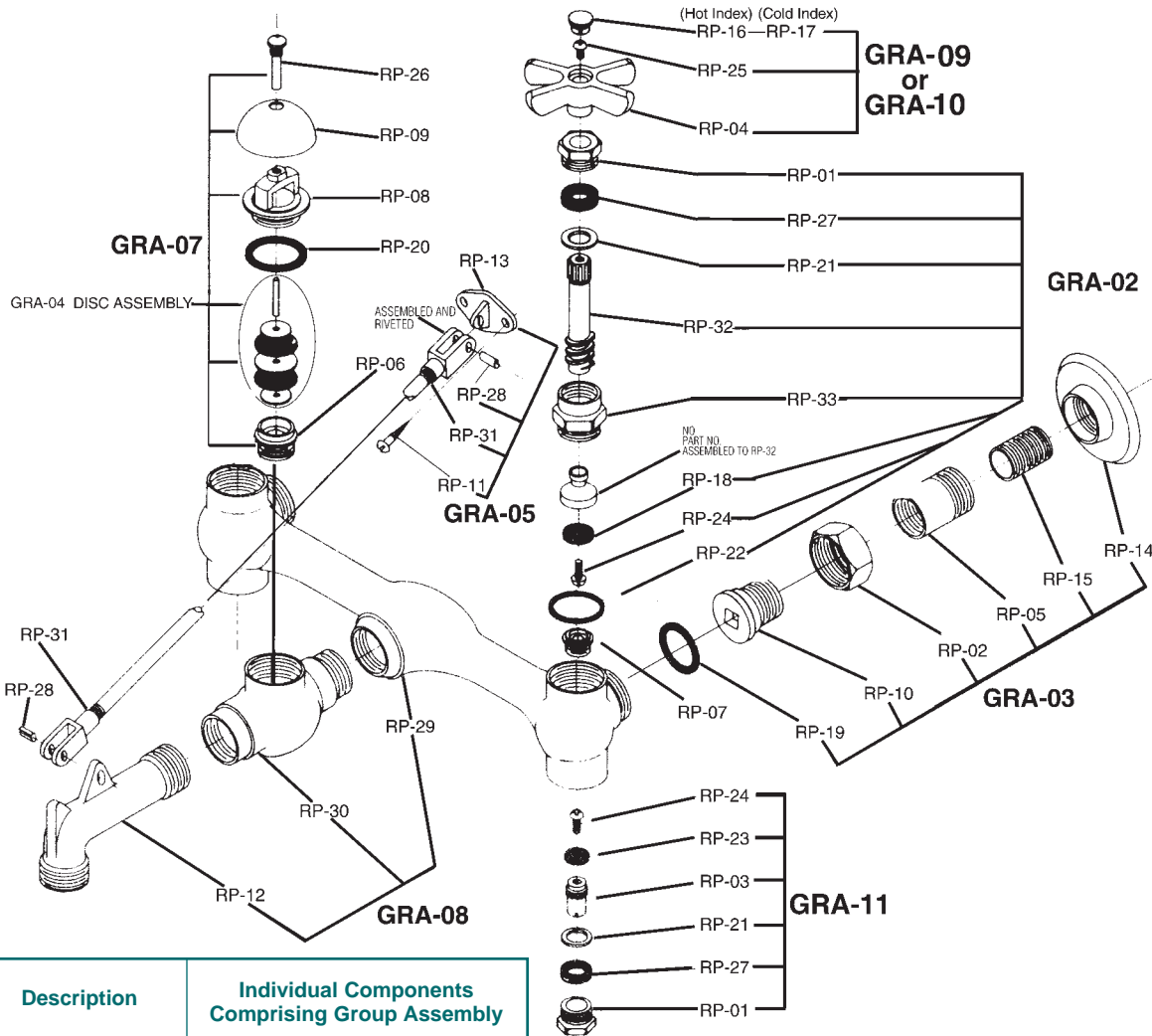
**Specifications  
and  
Codes:**

In the U.S.A., meets or exceeds requirements of ANSI-A112.18.1M-1979 for "Finished and Rough Brass Plumbing Fixture Fittings." In Canada, meets or exceeds the requirements of CSA standards B125 - "Plumbing Fittings," B64.1.1 - "Vacuum Breakers - Atmosphere Type" and B64.0 - "General Requirements for Backflow Preventers and Vacuum Breakers," and is approved under Product Class No. 6811 01 under Report #LM57412-1. Conforms to ASSE 1001.

FIAT  
PRODUCTS™

CUSTOMER SERVICE  
833-549-2887  
www.fiatproducts.com

# 830-AA Group Replacement Assembly Parts List



Group Assembly Part #	Description	Individual Components Comprising Group Assembly
GRA-02	Handle Mounting Group Assembly	RP-01 Packing Nut RP-27 Packing RP-21 Brass Washer RP-32 Spindle RP-33 Handle Hub RP-18 Seat Washer RP-24 Seat Washer Screw RP-22 Hub Washer
GRA-03	Coupling Assembly	RP-14 Wall Flange RP-15 Nipple RP-05 Bushing (socket) RP-02 Coupling Nut RP-10 Swivel RP-19 Washer
GRA-05	Brace Assembly	RP-13 Brace Flange RP-28(2) S.S. Roll Pin RP-31 Wall Brace Rod RP-11(2) Wood Screw
GRA-07	Vacuum Breaker & Disc Assembly	RP-26 V.B. Cap Screw RP-09 Cap RP-08 V.B Hub RP-20 V.B Hub Washer RP-06 Seat GRA-04 Vacuum Breaker Disc Assembly

Group Assembly Part #	Description	Individual Components Comprising Group Assembly
GRA-08	Complete Body Assembly	RP-29 Center Body RP-30 V.B. Body RP-12 Nozzle
GRA-09	Handle Assembly (Cold)	RP-17 Cold Index RP-25 Handle Screw RP-04 Handle
GRA-10	Handle Assembly (Hot)	RP-16 Hot Index RP-25 Handle Screw RP-04 Handle
GRA-11	Integral Stop Assembly	RP-24 Seat Washer Screw RP-23 Washer RP-03 Spindle RP-21 Brass Washer RP-27 Packing RP-01 Packing Nut
RP-07	(2 per package)	RP-07 Seat