

Features

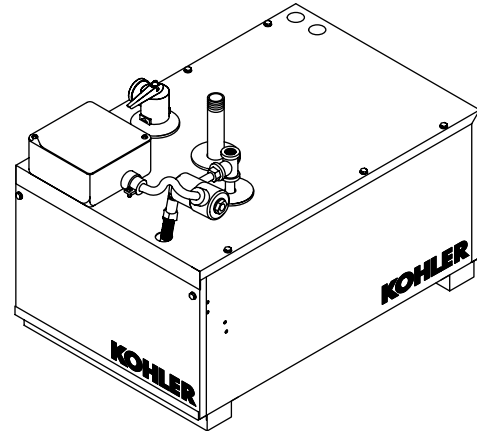
- 3-year warranty from date of installation
- Steam generators can be installed up to 25' (7.6 m) away from steam bath area

STEAM GENERATOR K-1696 ALSO K-1713

Codes/Standards Applicable

Specified model meets or exceeds the following:

- UL 499
- CSA C22.2 No. 88



Colors/Finishes

- NA: None applicable

Accessories

- CP: Polished Chrome
- PB: Vibrant® Polished Brass
- Other: Refer to Price Book for additional colors/finishes

Specified Model

Model	Description	Colors/Finishes
K-1696	13 kW Fast-Response® steam generator	<input type="checkbox"/> NA
K-1713	15 kW Fast-Response® steam generator	<input type="checkbox"/> NA

Required Accessories: Choose either Option 1 or Option 2 below.

Option 1:

K-1647	Steam control kit, power clean	<input type="checkbox"/> CP	<input type="checkbox"/> PB	<input type="checkbox"/> Other_____
--------	--------------------------------	-----------------------------	-----------------------------	-------------------------------------

Option 2:

K-1737	Steam adaptor kit and steam head AND	<input type="checkbox"/> CP	<input type="checkbox"/> PB	<input type="checkbox"/> Other_____
K-694	Landscape digital interface OR			<input type="checkbox"/> Other_____
K-695	Portrait digital interface			<input type="checkbox"/> Other_____

Optional Accessories: Only available for use with Option 2 above.

K-657	Landscape auxiliary digital interface			<input type="checkbox"/> Other_____
K-658	Portrait auxiliary digital interface			<input type="checkbox"/> Other_____

Product Specification

The steam generator shall have a three-year warranty from date of installation. Product shall be installed up to 25' (7.6 m) away from the steam bath area. Steam generator shall be Kohler Model K-_____-NA.

Technical Information

Water and drain requirements:	
Water supply	3/8" line, 3/8" NPT female thread
Steam line	1/2" copper line, 1/2" NPT female thread
Pressure relief valve	3/4" NPT male thread, valve supplied
Generator:	
Weight (each Generator)	32 lbs (14.5 kg)
Electrical rating - 13 kW	240 V, 59 A, 50/60 Hz
Electrical rating - 15 kW	240 V, 68 A, 50/60 Hz

Required Electrical Service

Dedicated circuit required:	
	Circuit Breaker
13 kW steam generator	240 V, 80 A, 50/60 Hz
15 kW steam generator	240 V, 90 A, 50/60 Hz

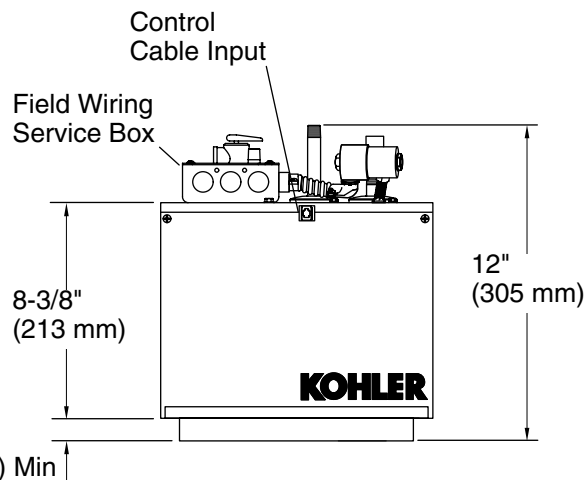
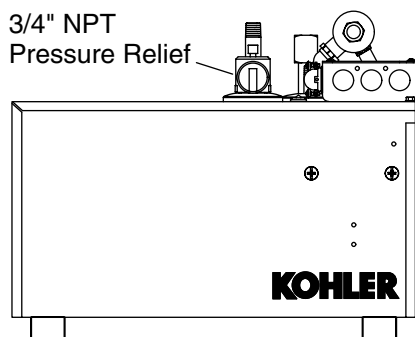
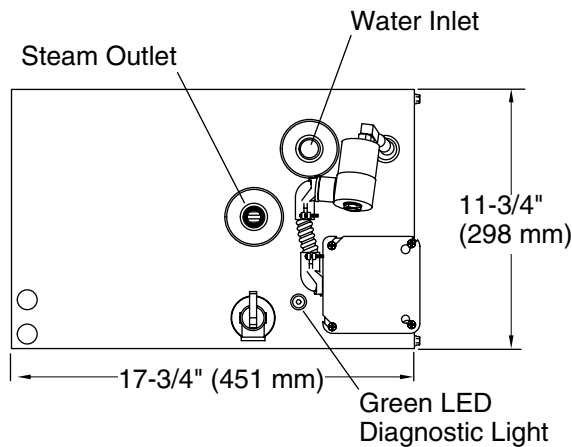
Installation Notes

Install this product according to the installation guide.

For this steam generator, enclosure shall not exceed the maximum rating volume:

To determine the appropriate model for your installation, determine the cubic feet of your steam area by multiplying L x W x H. Always round up. For every foot of ceiling height over 8' (2.45 m) use the next larger steam unit. Wall material is irrelevant for sizing.

Steam generator model	Power rating	Maximum volume rating
K-1696	13 kW	447 cu ft (13 cu m)
K-1713	15 kW	500 cu ft (14 cu m)



Minimum required access panel is 24" (610 mm) L x 15" (381 mm) H.

Allow for a minimum of 12" (305 mm) of space around all sides of the steam generator.

Allow for the Drain/Spill Pan.

Product Diagram