

COUNTERTOP BATHROOM SINK K-2196

ADA

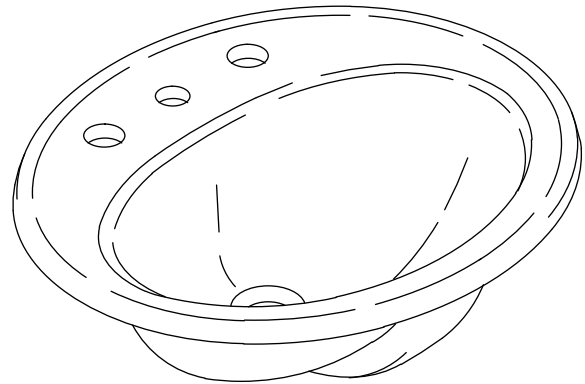
Features

- Vitreous china
- Drop-in
- ADA compliant when installed in a 21" (533 mm) minimum depth countertop
- Optional soap dispenser hole on left (-L) or right (-R)
- With or without overflow
- 8" (203 mm) centers
- 20-1/4" (514 mm) x 17-1/2" (445 mm)

Codes/Standards Applicable

Specified model meets or exceeds the following:

- ADA
- ASME A112.19.2/CSA B45.1
- ICC/ANSI A117.1



Colors/Finishes

- 0: White
- Other: Refer to Price Book for additional colors/finishes

Accessories

- CP: Polished Chrome

Specified Model

Model	Description	Colors/Finishes	
K-2196-8	Countertop bathroom sink, less soap dispenser hole; with overflow	<input type="checkbox"/> 0	<input type="checkbox"/> Other_____
K-2196-8L	Countertop bathroom sink with soap dispenser hole on left; with overflow	<input type="checkbox"/> 0	<input type="checkbox"/> Other_____
K-2196-8R	Countertop bathroom sink with soap dispenser hole on right; with overflow	<input type="checkbox"/> 0	<input type="checkbox"/> Other_____
K-2196-8N	Countertop bathroom sink, less soap dispenser hole; less overflow	<input type="checkbox"/> 0	<input type="checkbox"/> Other_____
K-2196-8K	Countertop bathroom sink with soap dispenser hole on right; less overflow	<input type="checkbox"/> 0	<input type="checkbox"/> Other_____
K-2196-8F	Countertop bathroom sink with soap dispenser hole on left; less overflow	<input type="checkbox"/> 0	<input type="checkbox"/> Other_____
Recommended Accessories			
K-8998	P-Trap		<input type="checkbox"/> CP

Product Specification

The countertop bathroom sink shall be 20-1/4" (514 mm) in length, and 17-1/2" (445 mm) in width. Bathroom sink shall be made of vitreous china. Bathroom sink shall have 8" (203 mm) centers drilling. Bathroom sink shall be ADA compliant when installed in a 21" (533 mm) minimum depth countertop. Bathroom sink shall be with or without overflow. Bathroom sink shall feature optional soap dispenser hole (-L, left or -R, right). Bathroom sink shall be Kohler Model K-2196-_____-_____-_____.

PENNINGTON™

Technical Information

Fixture:*	Basin area	Water depth
Bathroom sink	16" (406 mm) x 11" (279 mm)	4" (102 mm)
Drain hole	Ø 1-3/4" (44 mm)	
* Approximate measurements for comparison only.		

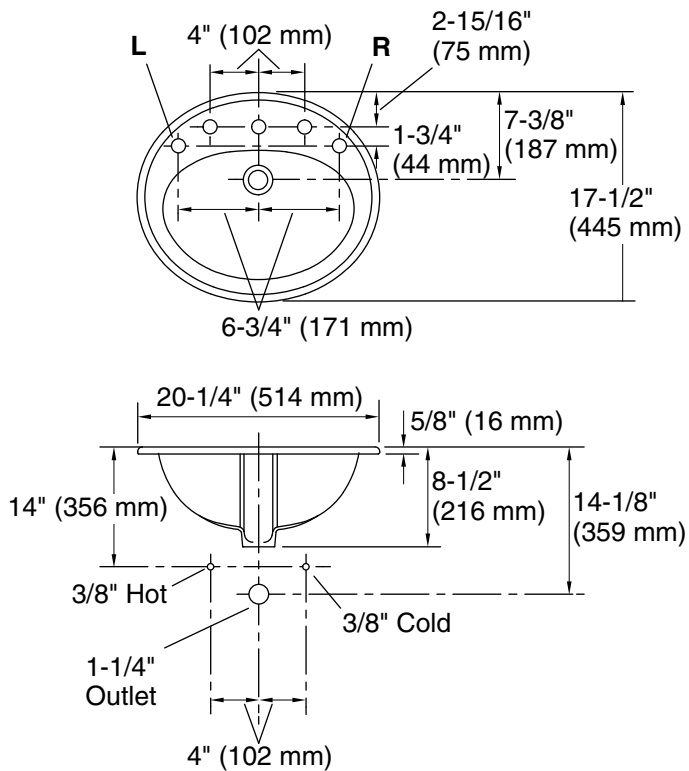
Holes	Spout	Faucet	Soap dispenser
	1-3/8" Ø (35 mm)	Ø 1-3/8" (35 mm)	Ø 1-1/4" (32 mm)

Included components:	
Cut-out template	1002970-7

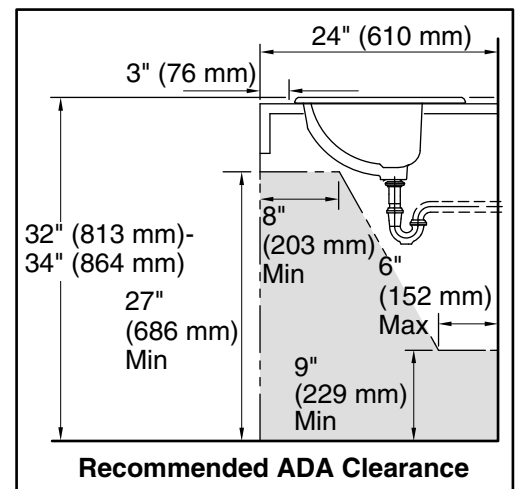
Installation Notes

Install this product according to the installation guide.

NOTICE: Countertop manufacturer or cutter **must** use the cut-out template provided with the product, or a current one provided by Kohler Co. (call 1-800-4-KOHLER). Kohler Co. is not responsible for cutout errors when the incorrect cut-out template is used.



Standard Installation



Recommended ADA Clearance

Product Diagram