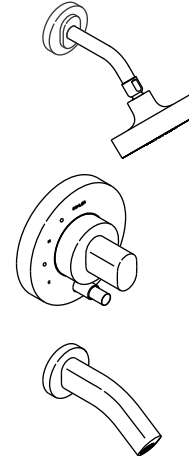


**Features**

- Metal construction
- Brass valve bodies
- High-temperature limit setting for added safety
- Rite-Temp® pressure-balancing diaphragm design
- Mixing valve cycles from "cold" to "hot"
- Intended for use with Rite-Temp® or HiFlow Rite-Temp® valves
- Pressure-balancing mechanism of one-piece diaphragm cartridge design for ease of maintenance
- Oblong handle

**BATH & SHOWER TRIM SET**  
**K-T10055-9**  
ALSO K-10044, K-T10056-9,  
K-T10057-9



**Codes/Standards Applicable**

Specified model meets or exceeds the following:

- ASME A112.18.1/CSA B125.1
- ASSE 1016

**Colors/Finishes**

- CP: Polished Chrome
- Other: Refer to Price Book for additional colors/finishes

**Accessories**

- NA: None applicable

**Specified Model**

Model	Description	Colors/Finishes	
K-T10055-9	Bath & shower trim set, with 1/2" NPT threaded spout (shown)	<input type="checkbox"/> CP	<input type="checkbox"/> Other ____
K-T10056-9	Shower only trim set	<input type="checkbox"/> CP	<input type="checkbox"/> Other ____
K-T10057-9	Valve only trim	<input type="checkbox"/> CP	<input type="checkbox"/> Other ____
K-10044	Bath spout	<input type="checkbox"/> CP	<input type="checkbox"/> Other ____
K-T98761-9	Valve only trim, with diverter	<input type="checkbox"/> CP	<input type="checkbox"/> Other ____

Required Accessories		
K-304-*	Rite-Temp® valve <b>OR</b>	<input type="checkbox"/> NA
K-2971-KS	HiFlow Rite-Temp valve with stops <b>OR</b>	<input type="checkbox"/> NA
K-11748-K	Rite-Temp valve with diverter <b>OR</b>	<input type="checkbox"/> NA
K-11748-KS	Rite-temp valve with diverter and stops	<input type="checkbox"/> NA

\* For a complete listing of all the Rite-Temp valves, refer to the K-304-\* Specification Sheet or Roughing-In sheet.

**Product Specification**

The bath & shower trim set shall be made of metal construction with brass valve bodies. Product shall have a Rite-Temp pressure-balancing diaphragm design valve and pressure-balancing mechanism of one-piece diaphragm cartridge design for ease of maintenance. Product shall feature mixing valve cycles from "cold" to "hot," a high-temperature limit stop for added safety, and an oblong handle. Product is intended for use with Rite-Temp or HiFlow Rite-Temp valves. Faucet trim shall be Kohler Model K-T-\_\_\_\_-9-\_\_\_\_ and required Rite-Temp valve shall be K-\_\_\_\_-\_\_\_\_-NA.

Optional Accessories					
88526	HiFlow Rite-Temp® thin wall installation kit	<input type="checkbox"/> CP			<input type="checkbox"/> Other __
1073881	Deep roughing-in kit – for use with K-304-K, K-304-KP, K-304-KS, and K-2971-KS				<input type="checkbox"/> NA
1092535	Deep roughing-in kit for valves with push-button diverter – for use with K-11748-K and K-11748-KS	<input type="checkbox"/> CP	<input type="checkbox"/> BN	<input type="checkbox"/> SN	

## Installation Notes

Install this product according to the installation guide.

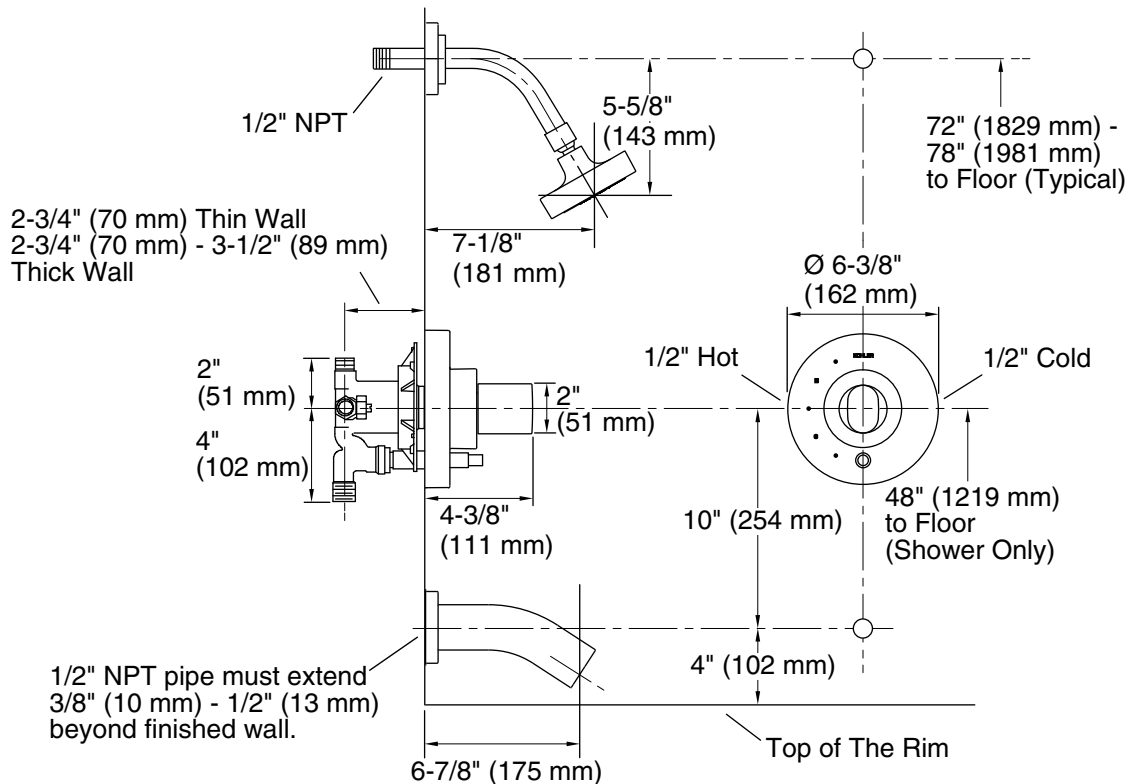
Install the Rite-Temp valve according to the installation guide.

**NOTICE: Risk of product damage.** Long screws, for installing trim, can damage the K-2971-KS valve. Consult the trim installation guide to verify if the thin wall installation kit (88526) is needed.

Avoid cross-flow conditions. Do not install a shut-off device on either valve outlet.

Cap the shower outlet if the deck-mounted spout, diverter, or handshower is connected to the spout outlet.

Install a 7" (178 mm) to 18" (457 mm) straight pipe or straight tube with single bath elbow between the valve and the wall-mount spout.



## Product Diagram