

## FINIAL® TRADITIONAL

### Features

- Brass construction
- Available with traditional handle(s)
- Front seal plate assembly
- Handle assembly
- Complements Finial® Traditional Suite

### THERMOSTATIC TRIM SET K-T10301

ALSO K-T10302, K-T10303, K-T10304

ADA

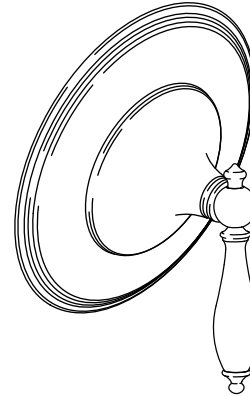
CSA B651

OBC

### Codes/Standards Applicable

Specified model meets or exceeds the following:

- ADA
- ICC/ANSI A117.1
- CSA B651
- OBC
- ASME A112.18.1/CSA B125.1



### Colors/Finishes

- CP: Polished Chrome
- PB: Vibrant® Polished Brass
- Other: Refer to Price Book for additional colors/finishes
- NA: None applicable

### Specified Model

For complete faucet, both faucet trim and valving must be specified.				
Model	Description	Colors/Finishes		
K-T10301-4F	Thermostatic valve trim, biscuit accents	<input type="checkbox"/> CP	<input type="checkbox"/> PB	<input type="checkbox"/> Other ____
K-T10301-4M	Thermostatic valve trim, polished finish accents	<input type="checkbox"/> CP	<input type="checkbox"/> PB	<input type="checkbox"/> Other ____
K-T10301-4P	Thermostatic valve trim, white accents	<input type="checkbox"/> CP	<input type="checkbox"/> PB	<input type="checkbox"/> Other ____
K-T10302-4F	Stacked thermostatic valve, biscuit accents	<input type="checkbox"/> CP	<input type="checkbox"/> PB	<input type="checkbox"/> Other ____
K-T10302-4M	Stacked thermostatic valve, polished finish accents	<input type="checkbox"/> CP	<input type="checkbox"/> PB	<input type="checkbox"/> Other ____
K-T10302-4P	Stacked thermostatic valve, white accents	<input type="checkbox"/> CP	<input type="checkbox"/> PB	<input type="checkbox"/> Other ____
K-T10303-4F	Volume control trim, biscuit accents	<input type="checkbox"/> CP	<input type="checkbox"/> PB	<input type="checkbox"/> Other ____
K-T10303-4M	Volume control trim, polished accents	<input type="checkbox"/> CP	<input type="checkbox"/> PB	<input type="checkbox"/> Other ____
K-T10303-4P	Volume control trim, white accents	<input type="checkbox"/> CP	<input type="checkbox"/> PB	<input type="checkbox"/> Other ____
K-T10304-4F	Transfer valve trim, biscuit accents	<input type="checkbox"/> CP	<input type="checkbox"/> PB	<input type="checkbox"/> Other ____
K-T10304-4M	Transfer valve trim, polished accents	<input type="checkbox"/> CP	<input type="checkbox"/> PB	<input type="checkbox"/> Other ____
K-T10304-4P	Transfer valve trim, white accents	<input type="checkbox"/> CP	<input type="checkbox"/> PB	<input type="checkbox"/> Other ____

### Product Specification

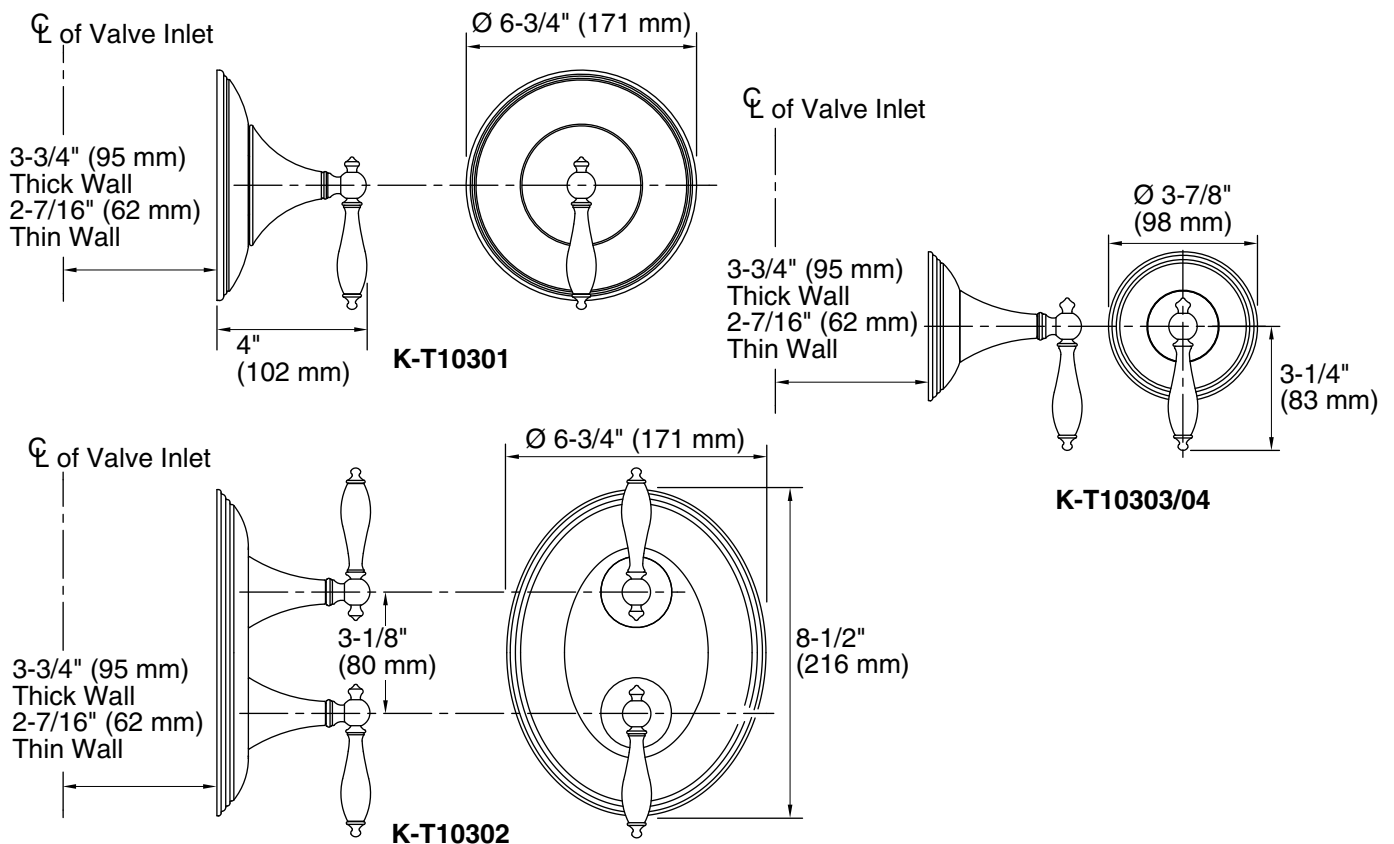
Thermostatic trim set shall be of brass construction. Trim shall include front seal plate assembly and handle assembly. Product shall be available with traditional handle. Trim shall complement the Finial® Traditional Suite. Faucet trim shall be Kohler Model K-T\_\_\_\_-\_\_\_\_-\_\_\_\_ and thermostatic valving shall be K-\_\_\_\_-\_\_\_\_-NA.

# FINIAL® TRADITIONAL

Required Accessories		
K-2972-KS (replaces K-679-KS)	1/2" Thermostatic valve	<input type="checkbox"/> NA
K-2973-KS (replaces K-680-KS)	1/2" Stacked thermostatic valve	<input type="checkbox"/> NA
K-2974-K (replaces K-681-K)	1/2" Volume control	<input type="checkbox"/> NA
K-2975-KS (replaces K-669-KS)	3/4" Thermostatic valve	<input type="checkbox"/> NA
K-2976-KS (replaces K-670-KS)	3/4" Stacked thermostatic valve	<input type="checkbox"/> NA
K-2977-K (replaces K-671-K)	3/4" Volume control	<input type="checkbox"/> NA
K-728-K	3/4" Transfer valve	<input type="checkbox"/> NA
K-737-K	3/4" Diverter valve	<input type="checkbox"/> NA

## Installation Notes

Install this product according to the installation guide.



## Product Diagram