

**BATH FAUCET TRIM  
K-T125**

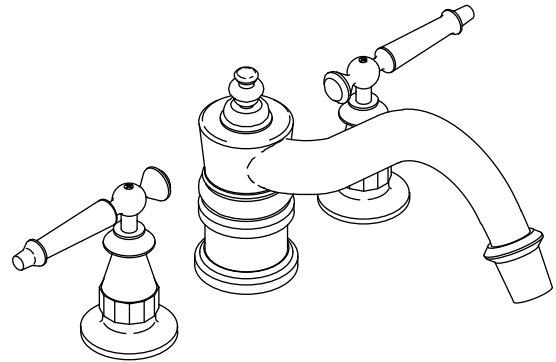
**Features**

- Brass construction
- Bath- or deck-mount
- 9-5/8" (244 mm) Roman non-diverter spout with slip-fit connection
- Variety of handle style options
- 7" (178 mm) spout height
- Requires K-301-K valve system

**Codes/Standards Applicable**

Specified model meets or exceeds the following:

- ASME A112.18.1/CSA B125.1



**Colors/Finishes**

- CP: Polished Chrome
- PB: Vibrant® Polished Brass
- Other: Refer to Price Book for additional colors/finishes

**Specified Model**

Model	Description	Colors/Finishes		
		<input type="checkbox"/> CP	<input type="checkbox"/> PB	<input type="checkbox"/> Other_____
K-T125-3	Bath faucet trim with six-prong handles	<input type="checkbox"/> CP	<input type="checkbox"/> PB	<input type="checkbox"/> Other_____
K-T125-4	Bath faucet trim with lever handles	<input type="checkbox"/> CP	<input type="checkbox"/> PB	<input type="checkbox"/> Other_____
K-T125-3D	Bath faucet trim with six-prong handles – requires K-251 skirts	<input type="checkbox"/> CP	<input type="checkbox"/> PB	<input type="checkbox"/> Other_____
K-T125-4D	Bath faucet trim with lever handles – requires K-251 skirts	<input type="checkbox"/> CP	<input type="checkbox"/> PB	<input type="checkbox"/> Other_____

**Product Specification**

Two-handle bath- or deck-mount bath faucet trim shall be of brass construction. Product shall feature a 9-5/8" (244 mm) Roman non-diverter spout with slip-fit connection. Faucet shall feature a 7" (178 mm) spout height. Faucet shall be available with a variety of handle style options. Product shall require a K-301-K-NA valve system. Product shall be Kohler Model K-T125-\_\_\_\_\_.

# ANTIQUETM

Model	Description	Colors/Finishes		
K-T125-9B	Bath faucet trim with oval handles - requires K-260 insets and skirts	<input type="checkbox"/> CP	<input type="checkbox"/> PB	<input type="checkbox"/> Other_____

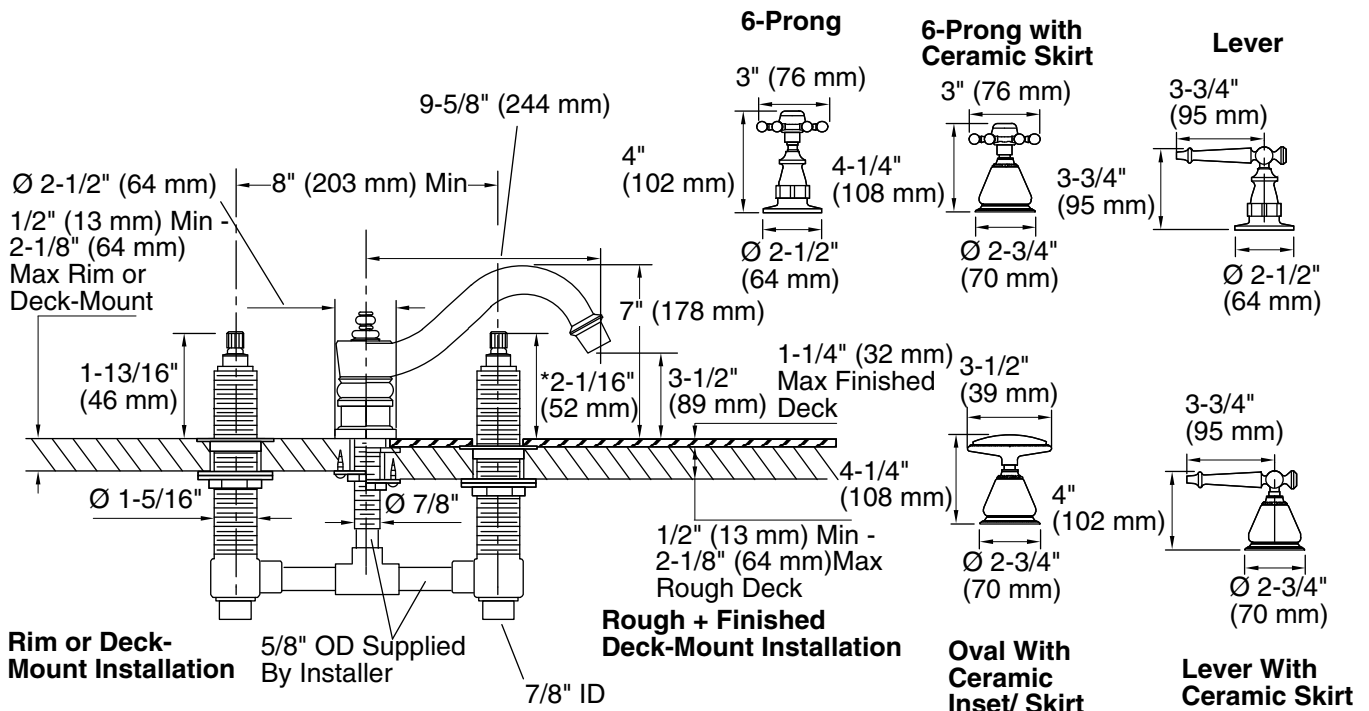
Required Accessories				
K-301-K	3/4" high-flow ceramic disc valve system	<input type="checkbox"/> NA		
K-251	Ceramic skirts, pair – for K-T125-3D, K-T125-4D			<input type="checkbox"/> Other_____
K-260	Ceramic oval handle insets and skirts, pair – for K-T125-9B			<input type="checkbox"/> Other_____

Optional Accessories				
K-9639	Large lever insert, single	<input type="checkbox"/> CP	<input type="checkbox"/> PB	
K-9659	Large lever insert, single			<input type="checkbox"/> Other_____
58598	Deep roughing-in kit for high-flow deck-mount bath faucets (all handles)	<input type="checkbox"/> CP		<input type="checkbox"/> Other_____

## Installation Notes

Install this product according to the installation guide.

\*Dimension allows 1/4" (6 mm) handle adjustment during handle trim installation.



Product Diagram