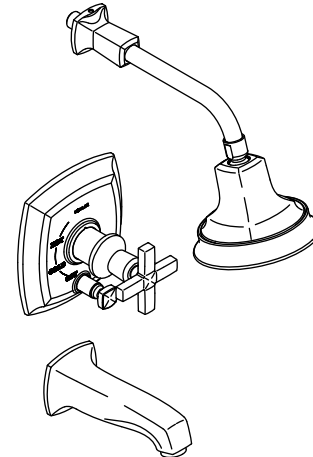


Features

- Brass construction
- MasterClean™ sprayface on showerhead resists mineral buildup
- Available with cross handle or lever handle
- Push-button diverter [K-T16233 and K-T98759]
- Requires a Rite-Temp valve
- Complements Margaux Suite

**BATH & SHOWER TRIM SET
K-T16233**

**ALSO K-T16234, K-T16235, K-T16246,
K-T98759**



Codes/Standards Applicable

Specified model meets or exceeds the following:

- ASME A112.18.1/CSA B125.1
- ASSE 1016

Colors/Finishes

- CP: Polished Chrome
- Other: Refer to Price Book for additional colors/finishes
- NA: None applicable

Specified Model

Model	Description	Colors/Finishes	
K-T16233-3	Bath and shower trim, with diverter – cross handle (shown)	<input type="checkbox"/> CP	<input type="checkbox"/> Other ____
K-T16233-4	Bath and shower trim, with diverter – lever handle	<input type="checkbox"/> CP	<input type="checkbox"/> Other ____
K-T16234-3	Shower trim only – cross handle	<input type="checkbox"/> CP	<input type="checkbox"/> Other ____
K-T16234-4	Shower trim only – lever handle	<input type="checkbox"/> CP	<input type="checkbox"/> Other ____
K-T16235-3	Valve trim only – cross handle	<input type="checkbox"/> CP	<input type="checkbox"/> Other ____
K-T16235-4	Valve trim only – lever handle	<input type="checkbox"/> CP	<input type="checkbox"/> Other ____
K-16246	Bath spout	<input type="checkbox"/> CP	<input type="checkbox"/> Other ____
K-T98759-3	Valve trim only, with diverter – cross handle	<input type="checkbox"/> CP	<input type="checkbox"/> Other ____
K-T98759-4	Valve trim only, with diverter – lever handle	<input type="checkbox"/> CP	<input type="checkbox"/> Other ____

Required Accessories

K-304-*	Rite-Temp® valve OR	<input type="checkbox"/> NA
K-2971-KS	HiFlow Rite-Temp valve with stops OR	<input type="checkbox"/> NA

Product Specification

The bath & shower trim set shall be made of brass construction. Faucet trim shall be available with a cross handle or a lever handle. Product shall feature a push-button diverter [K-T16233 and K-T98759]. Showerhead shall feature a MasterClean sprayface on showerhead which resists mineral buildup. Product requires a Rite-Temp valve. Product shall complement the Margaux Suite. Bath and shower trim shall be Kohler Model K-T____-____-____ or K-____-____ and Rite-Temp valving shall be K-____-____-NA.

MARGAUX®

Required Accessories (Continued)

K-11748-K	Rite-Temp valve with diverter OR	<input type="checkbox"/> NA
K-11748-KS	Rite-Temp valve with diverter and stops	<input type="checkbox"/> NA

* For a complete listing of all the Rite-Temp valves, refer to the K-304-* Specification Sheet or Roughing-In Sheet.

Optional Accessories

88526	HiFlow Rite-Temp® thin wall installation kit	<input type="checkbox"/> CP	<input type="checkbox"/> Other _____
-------	--	-----------------------------	--------------------------------------

Installation Notes

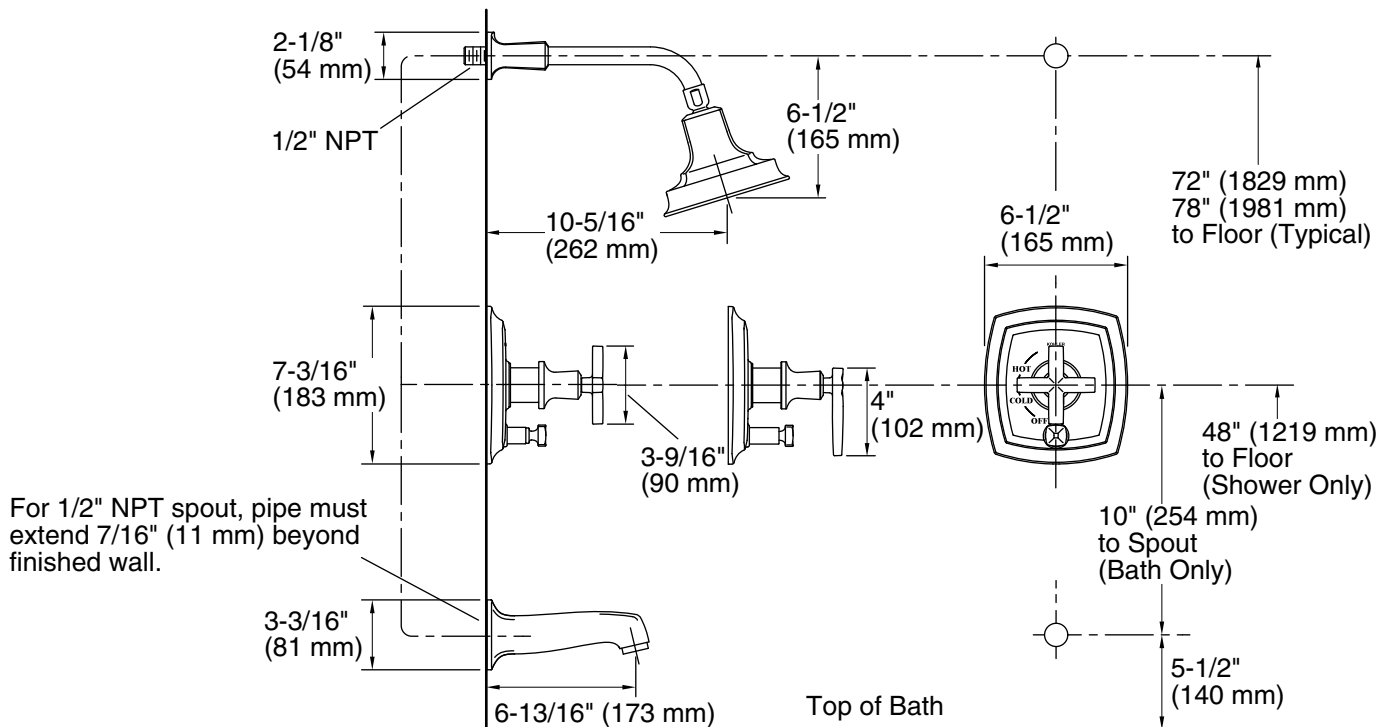
Install this product according to the installation guide.

NOTICE: Risk of product damage. Long screws, for installing trim, can damage the K-2971-KS valve. Consult the trim installation guide to verify if the thin wall installation kit (88526) is needed.

Avoid cross-flow conditions. Do not install shut-off device on either valve outlet.

Cap shower outlet if deck-mount spout, diverter, or handshower is connected to spout outlet.

Install straight pipe or tube drop of 7" (178 mm) to 18" (457 mm) with single elbow between the valve and wall-mount spout.



Product Diagram