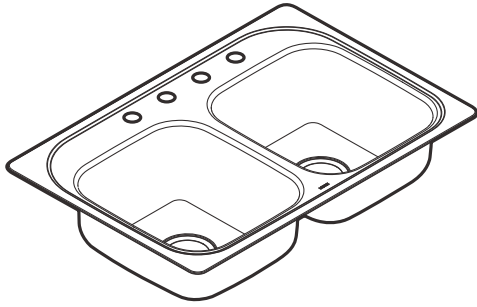




Buy it for looks. Buy it for life.®

Specifications



| Model Number | Faucet Holes | Depth-Inches | Drain Placement | Quantity | Model Specified |
|--------------|--------------|--------------|-----------------|----------|-----------------|
| G222171 | 1 | 6.5 | Center | 1 | |
| G222173 | 3 | 6.5 | Center | 1 | |
| G222174 | 4 | 6.5 | Center | 1 | |
| BG222173 | 3 | 6.5 | Center | 25 | |
| BG222174 | 4 | 6.5 | Center | 25 | |
| G222171B | 1 | 6.5 | Rear | 1 | |
| G222173B | 3 | 6.5 | Rear | 1 | |
| G222174B | 4 | 6.5 | Rear | 1 | |
| G222154 | 4 | 7 | Center | 1 | |

SINK DESCRIPTION

- 2200 Series double bowl drop-in sink
- 22 gauge stainless steel, Matte finish
- Center or rear drain, 1 to 4 faucet holes as indicated
- Integrated mounting system, hardware included
- Hardware can accommodate up to 1-1/8" counter thickness
- Includes SoundShield sound absorbing system

CUT OUT DIMENSIONS

- 32 3/8" x 21 3/8" with 3/8" corner radius. Tolerance of plus or minus 1/16" is acceptable

STANDARDS

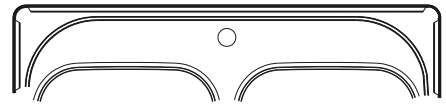
- Third party certified by IAPMO to meet ASME A112.19.3 and all applicable specifications referenced therein
- Rear drain configurations compliant with ADA installation requirements

WARRANTY

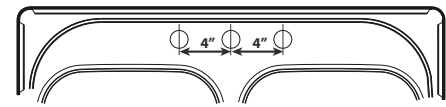
- Limited lifetime warranty against material or manufacturing defects to the original consumer purchaser

Faucet Hole Configurations

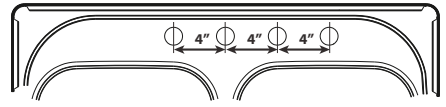
1-1/2" (38mm) diameter faucet holes
4" (102mm) Center



1

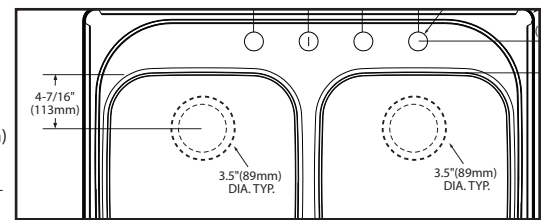


3



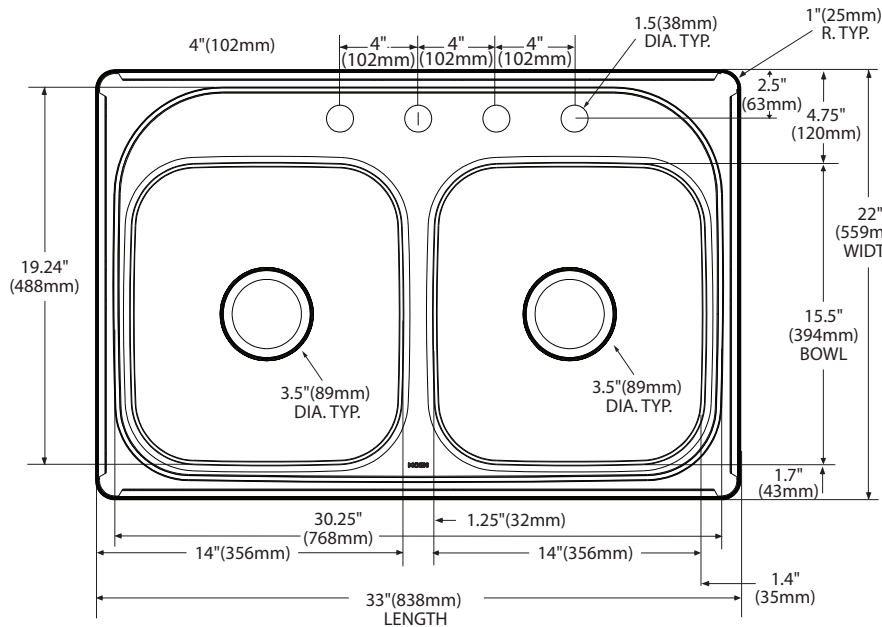
4

Rear Drain Configuration



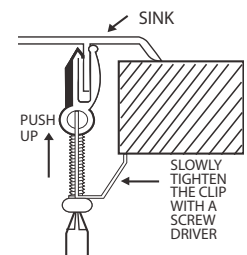
CRITICAL DIMENSIONS

(DO NOT SCALE)



MADE IN THE USA

Installation Detail



FOR MORE INFORMATION CALL: 1-800-BUY-MOEN

www.moen.com