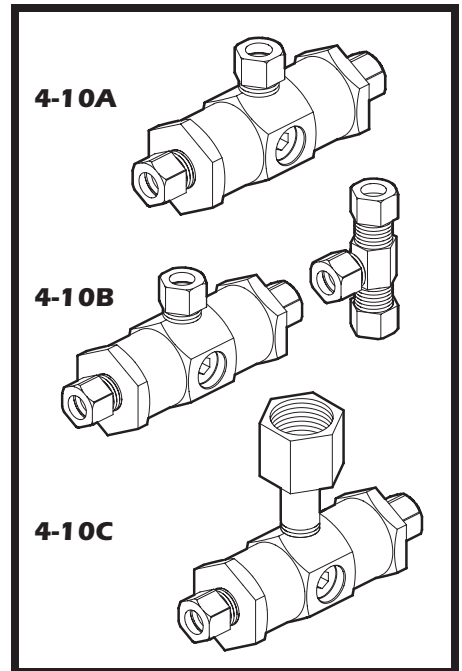
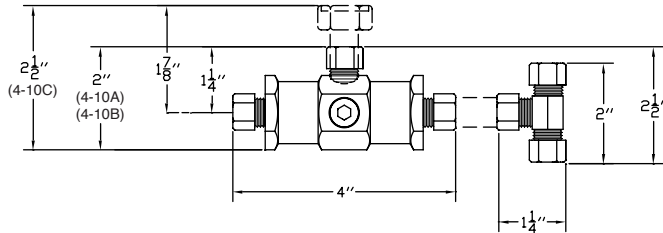


Mechanical Mixing Valves

- 4-10A: To supply tempered water to a single supply faucet 3/8" compression connections
- 4-10B: To supply tempered water to the hot inlet of a two supply faucet
- 4-10C: To supply tempered water to a single supply faucet (2) 3/8" compression connections and (1) 1/2" IPS connection

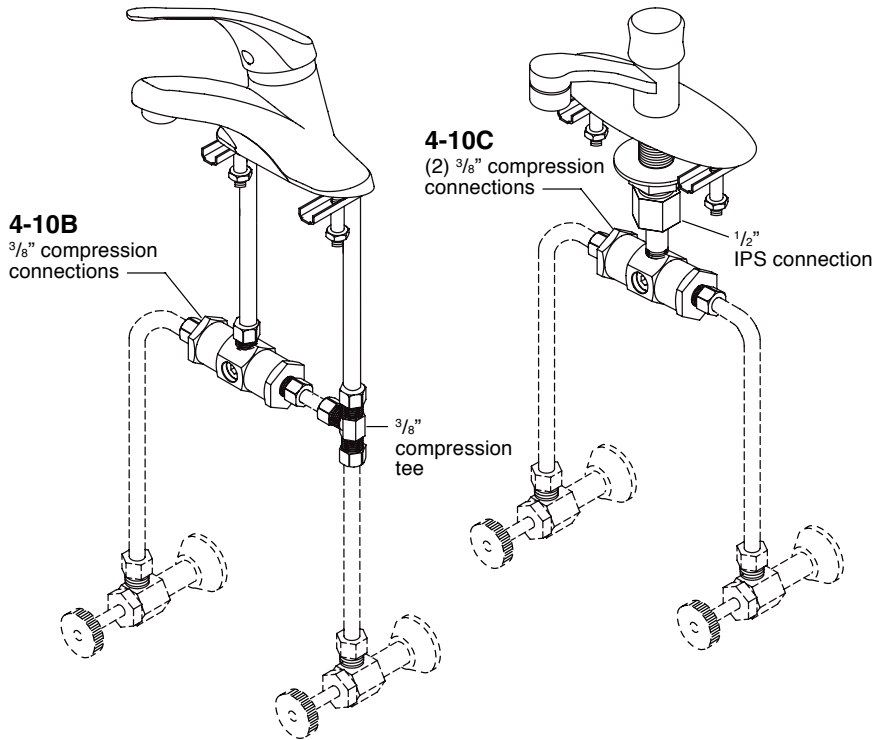
Symmons Mechanical mixing valve for tempered water supply to an individual faucet. Includes 3/8" compression connections and integral checks. Vandal resistant temperature adjustment. Chrome finish. Supply stops and piping to and from mechanical mixing valve not supplied.



**SYMMONS PRODUCTS MEET
ANSI A112.18.1M**

**Symmons Single Lever Faucet
Typical
(faucet not included)**

**Symmons Metering Faucet
Typical
(faucet not included)**



Job/Location

.....

Engineer

.....

Contractor

.....

For ADA compliance (Americans with Disabilities Act) consult ADAAG or your state regulations for proper product choice and mounting locations.

SYMMONS INDUSTRIES, INC.
 31 Brooks Drive, Braintree, MA 02184-3804
 TEL: 1-800-SYMMONS, (781) 848-2250 FAX: 1-800-961-9621, (781) 843-3849
 Web site: www.symmons.com

