

► **Code Number**

3780046

► **Description**

Exposed Water Closet Flushometer, for floor mounted or wall hung top spud bowls.

► **Flush Cycle**

- Model 111-1.28 High Efficiency (1.28 gpf/4.8 Lpf)

► **Specifications**

Quiet, Exposed, Diaphragm Type, Chrome Plated Closet Flushometer with the following features:

- High Chloramine Resistant PERMEX® Synthetic Dual Filtered Bypass Diaphragm
- Metal Oscillating Non-Hold open Handle with Triple Seal Handle Packing
- 1" I.P.S. Screwdriver Bak-Chek® Angle Stop with Vandal Resistant Stop Cap not included
- Trap Primer
- Vacuum Breaker with Flush Connection
- Spud Coupling and Spud Flange for 1½" Top Spud
- Sweat Solder Adapter with Cover Tube and Cast Wall Flange
- Non-Hold-Open Handle and No External Volume Adjustment to Ensure Water Conservation
- Low Consumption flush accuracy
- Diaphragm, Handle Packing and Vacuum Breaker Molded from PERMEX® Rubber Compound for Chloramine Resistance

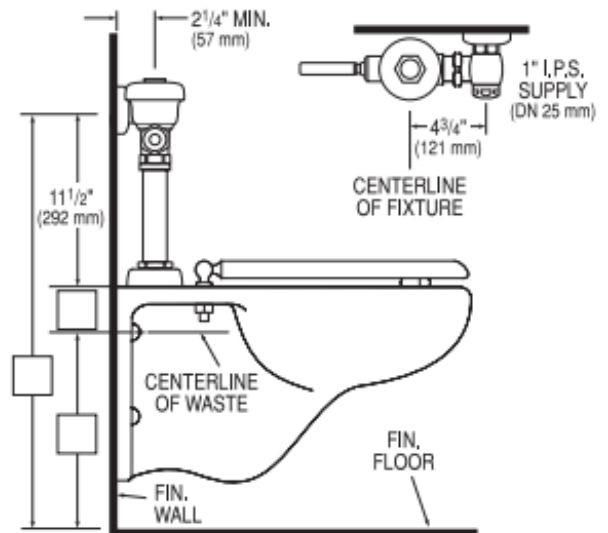
1 1/2" Offset

► **Accessories**

See Accessories Section of the Sloan catalog for details on these and other Flushometer variations.

► **Fixtures**

Consult factory to match Sloan fixture options.



► **Compliance**



This space for Architect/Engineer Approval