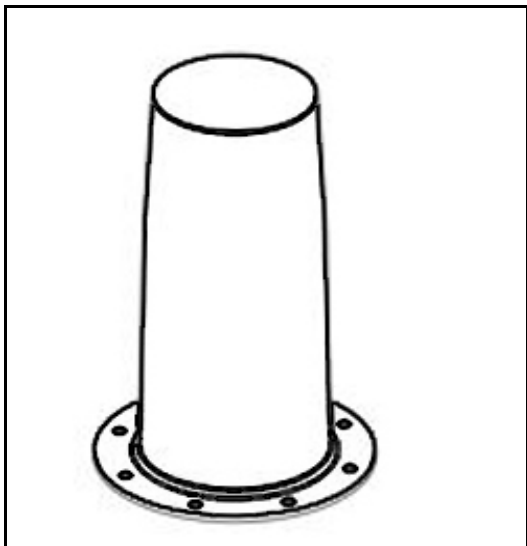


Specialty Products™



SPECIFICATION

Furnish and install Sure-Sleeve® Plastic Hole Form as manufactured by LSP Products Group/Specialty Products.

DESIGN FEATURES

- Versatile; use vertically and horizontally for both floor and wall installations
- Unique design features 1° and 3° dual taper
- Smooth exterior releases from concrete easily
- Internal ribs and thick nailing ring provide extra strength
- For use in electrical, mechanical and plumbing installations and concrete casting applications

• NOTE: Use 1 or 2 sizes larger than pipe size



3689 Arrowhead Drive, Carson City, NV 89706
 Phone (800) 854-3215 Fax (800) 243-1777
 E-mail sales@lspproducts.com Website www.lspproducts.com

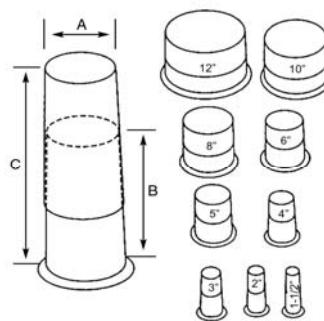
Content matter is subject to change at any time. It is the user's responsibility to ensure the most updated revisions are obtained.

SP/S-2004 (10-08) Rev 2

SURE-SLEEVE® PLASTIC HOLE FORM Specification Sheet

PART NO.	DESCRIPTION	MSTR CTN QTY
P-3050	Dual Taper, 1-1/2"	180
P-3051	Dual Taper, 2"	90
P-3060	Dual Taper, 3"	80
P-3061	Dual Taper, 4"	45
P-3062	Dual Taper, 5"	30
P-3063	Dual Taper, 6"	24
P-3064	3° Taper, 8"	36
P-3056	1° Taper, 10"	12
P-3057	1° Taper, 12"	12

Part Number	A	B	C
P-3050	1-1/2"	8-1/8"	13-1/4"
P-3051	2"	8-1/8"	13-1/4"
P-3060	3"	8-1/8"	13-1/2"
P-3061	4"	8-1/8"	13-1/2"
P-3062	5"	8-1/8"	13-3/8"
P-3063	6"	8-1/8"	13-1/8"
P-3064	8"	8"	10"
P-3056	10"	8"	12-3/8"
P-3057	12"	8"	12"



Product Submittal	
Job Name	
Date	
Part Number	Quantity
Architect	
Contractor	