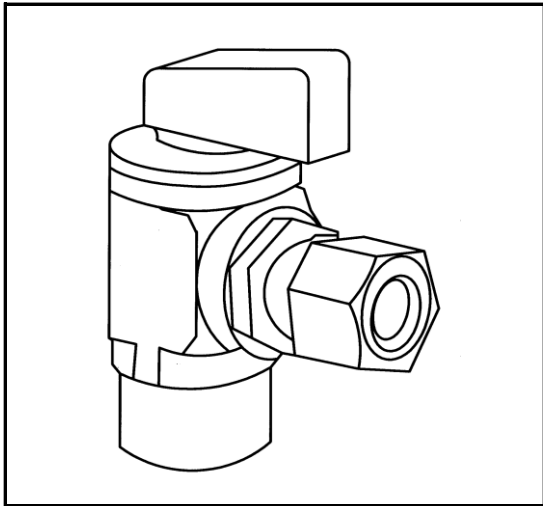


AQUAFLO®



DESIGN FEATURES

- Quick quarter-turn shut-off.
- Heavy duty brass construction ensures durability.
- Ball style valve will not freeze up.
- Teflon seats for extra wear resistance.
- Pliable O-rings will not distort or break down.
- One-year limited warranty

COMPLIANCES/LISTINGS

- IAPMO Certified
- NSF Compliant
- Meet or exceed ASME A112.18.1
- Federal Specification WWP 541E

Certified to
NSF/ANSI 61



OPERATING SPECIFICATION

Temperature: 40-180°F
Pressure: 125 PSI max.

LSP
PRODUCTSGROUP

3689 Arrowhead Drive, Carson City, NV 89706
Phone (800) 854-3215 Fax (800) 243-1777
E-mail sales@lspproducts.com Website www.lspproducts.com

Content matter is subject to change at any time. It is the user's responsibility to ensure the most updated revisions are obtained.

AF/S-2017 (05-11) Rev 3

QUARTER-TURN ANGLE VALVES

Specification Sheet

NICKEL

PART NUMBER	INLET	OUTLET
V-001-A	5/8" O.D. Compr	1/4" O.D. Compr
V-100-A	1/2" Sweat	3/8" O.D. Compr
V-101-A	5/8" O.D. Compr	3/8" O.D. Compr
V-102-A	1/2" F.I.P.	3/8" O.D. Compr
V-103-A	1/2" PEX	3/8" O.D. Compr
V-104-A	1/2" WIRSBO PEX	3/8" O.D. Compr
V-105-A	3/8" F.I.P.	3/8" O.D. Compr
V-106-A	3/8" O.D. Compr	3/8" O.D. Compr
V-107-A	1/2" F.I.P.	3/4" Hose Thread
V-300-A	1/2" Sweat	1/2" O.D. Compr
V-301-A	5/8" O.D. Compr	1/2" O.D. Compr
V-302-A	1/2" F.I.P.	1/2" O.D. Compr
V-303-A	1/2" PEX	1/2" O.D. Compr
V-400-A	1/2" Sweat	1/2" OR 7/16" Slip Joint
V-401-A	5/8" O.D. Compr	1/2" OR 7/16" Slip Joint
V-402-A	1/2" F.I.P.	1/2" OR 7/16" Slip Joint
V-403-A	1/2" PEX	1/2" M.I.P. / Sweat
V-500-A	1/2" CPVC	3/8" O.D. Compr
V-602-A	5/8" O.D. Compr	3/8" O.D. Compr.

POLISHED BRASS

V-201-A	5/8" O.D. Compr	3/8" O.D. Compr
V-202-A	1/2" F.I.P.	3/8" O.D. Compr



For Lead Free product add "-LL" to the end of the part number.

Product Submittal

Job Name	
Date	
Part Number	Quantity
Architect	
Contractor	