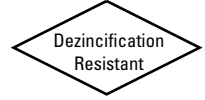


# Lead-Free\* Bronze Ball Valves

Silicon Performance Bronze™ Alloy • Two-Piece Body • Full Port • Blowout-Proof Stem • MSS SP-110 •

NSF/ANSI-61-8 Commercial Hot 180°F (includes Annex F and G) and NSF/ANSI-372



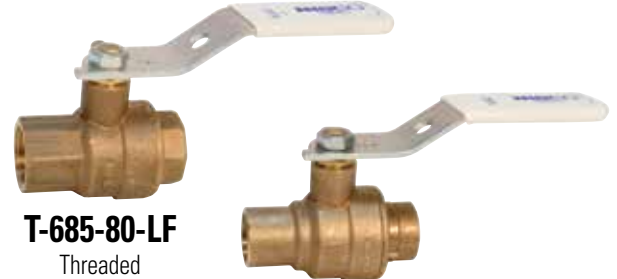
**Size Range: 1/4" - 2"**

**Pressure Rating: 600 PSI Non-Shock Cold Working Pressure**

**Maximum Pressure / Temperature: 100 PSI at 300° F**

Lead-Free\* markings:

Double oval in body casting, white handle and blue hang tag

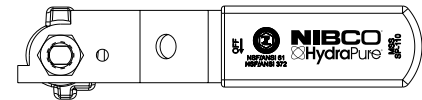


**T-685-80-LF**  
Threaded

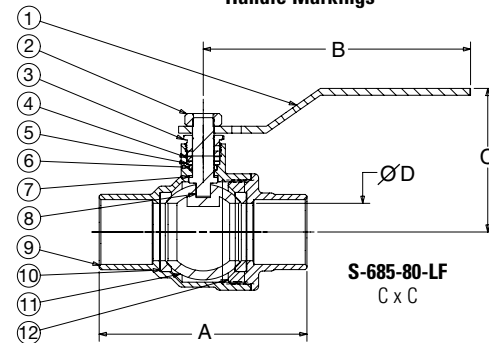
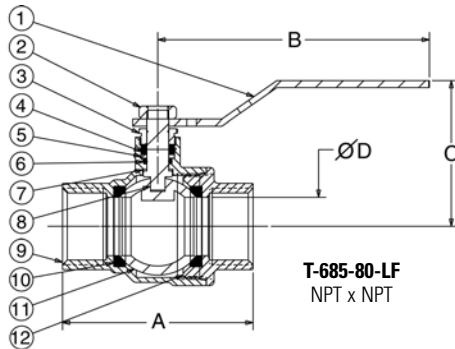
**S-685-80-LF**  
Solder

## MATERIAL LIST

PART	SPECIFICATION
1. Handle	Steel, Plated
2. Nut, Handle	Steel, Plated
3. Pack Gland	Brass ASTM B 16 Alloy C36000
4. Packing, Stem	Virgin PTFE
5. Washer, Flat	430 Stainless
6. O-Ring (Stem Seal)	EPDM
7. Washer, Thrust	Reinforced PTFE
8. Stem	Silicon Bronze ASTM B371 Alloy C69300
9. Body	Silicon Bronze ASTM B283 Alloy C69300
10. Seat Ring	Virgin PTFE
11. Ball	Silicon Bronze ASTM B283 Alloy C69300
12. End Piece	Silicon Bronze ASTM B283 Alloy C69300



Handle Markings



## DIMENSIONS—WEIGHTS—QUANTITIES

### Dimensions

Size	T-685-80-LF		S-685-80-LF		Port		T-685-80-LF		S-685-80-LF		Master Ctn. Qty.					
	A	A	B	C	D	Lbs.	Kg.	Lbs.	Kg.							
1/4	8	1.98	50	—	—	3.90	99	1.95	49	0.31	8	0.52	0.24	—	—	24
3/8	10	1.98	50	2.02	51	3.90	99	1.95	49	0.38	10	0.49	0.22	0.46	0.21	24
1/2	15	2.22	56	2.16	55	3.90	99	1.95	50	0.50	13	0.47	0.21	0.46	0.21	80
3/4	20	2.66	68	2.94	75	4.66	118	2.30	58	0.75	19	0.70	0.32	0.69	0.31	60
1	25	3.27	83	3.62	92	4.66	118	2.50	64	1.00	25	1.10	0.50	1.12	0.51	40
1¼	32	3.56	90	3.97	101	6.69	170	3.07	78	1.25	32	1.69	0.77	1.66	0.75	4
1½	40	3.98	101	4.61	117	6.69	170	3.25	83	1.50	38	2.58	1.17	2.71	1.23	2
2	50	4.52	115	5.63	143	6.69	170	3.55	90	2.00	51	4.37	1.98	4.62	2.10	8

\*Lead Free refers to the wetted surface of pipe, fittings and fixtures in potable water systems that have a weighted average lead content ≤ 0.25% per the Safe Drinking Water Act (Sec. 1417) amended 1-4-2011 and other equivalent state regulations.