

TOTO®

TS200A51 & TS200A61

Transitional Collection Series A Single-Spray Showerhead

FEATURES

- Maximum flow rate of 2.5 gpm (9.5 lpm)
- Single-spray showerhead
- Rubber nozzles to prevent limescale build up
- G 1/2" connection

MODELS

- TS200A51
4-1/2" showerhead
4" diameter spray face
- TS200A61
5-1/2" showerhead
5" diameter spray face

COLORS/FINISHES

- #CP Polished Chrome
- #BN Brushed Nickel
- #PN Polished Nickel

CODES/STANDARDS

- Meets or exceeds ASME A112.18.1/CSA B125.1
- Certifications: IAPMO(cUPC), State of Massachusetts and others
- Code Compliance: UPC, IPC, NSPC, NPC Canada, and others



PRODUCT SPECIFICATION

The single-spray showerhead shall have a maximum flow rate of 2.5 gpm (9.5 lpm). TS200A51 shall have a 4-1/2" showerhead and a 4" diameter spray face. TS200A61 shall have a 5-1/2" showerhead and a 5" diameter spray face. Product shall have a single spray. Product shall have rubber nozzles to prevent limescale build up. Product shall be TOTO Model TS200A____ #____.



TS200A51: Transitional Collection Series A Single-Spray Showerhead 4-1/2"



TS200A61: Transitional Collection Series A Single-Spray Showerhead 5-1/2"

Please note the following component is sold separately:



TS200N6: Shower Arm 6"

TS200A51 & TS200A61

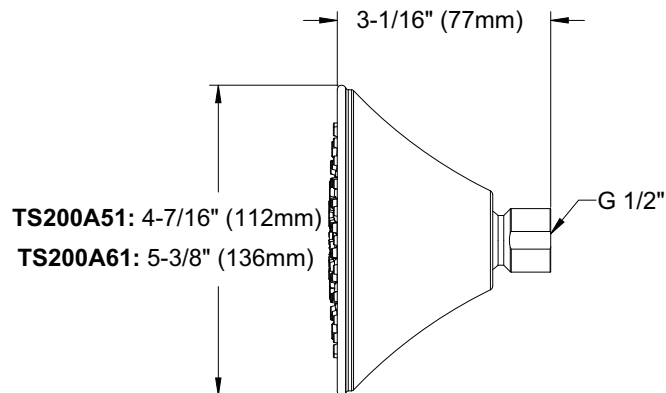
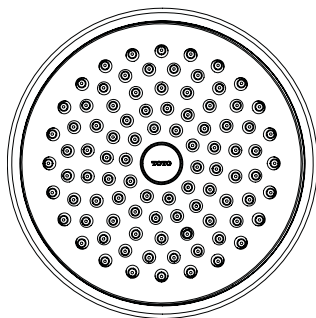
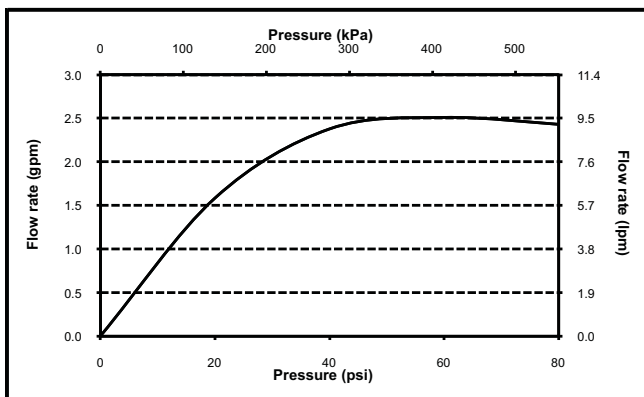
Transitional Collection Series A Single-Spray Showerhead

SPECIFICATIONS

- Warranty: Lifetime Limited Warranty (Residential Use)
One Year (Commercial Use)
- Material: Brass / Plastics
- Shipping Weight: TS200A51: 0.8 lbs.
TS200A61: 1.0 lbs.
- Shipping Dimensions: TS200A51 & TS200A61:
3-1/2" L x 5-3/4" W x 6-3/4" H
- Maximum Flow Rate: 2.5 gpm (9.5 lpm)

INSTALLATION NOTES

OPTIONAL SHOWERHEAD COMPONENT:
TS200N6: Shower Arm 6" sold separately.



TOTO

These dimensions and specifications are subject to change without notice