

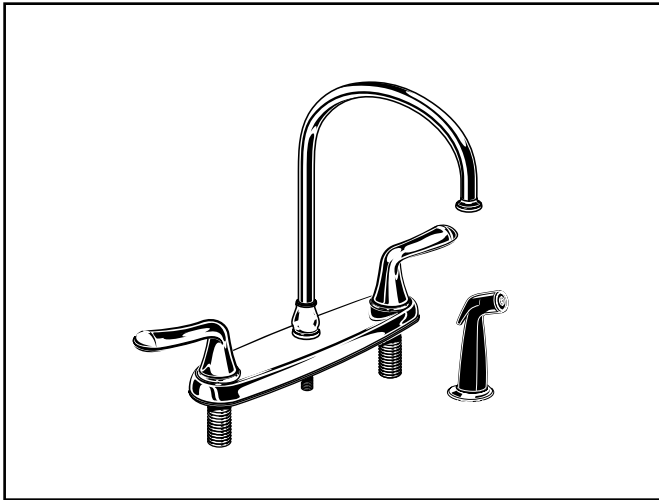
# American Standard

## COLONY SOFT

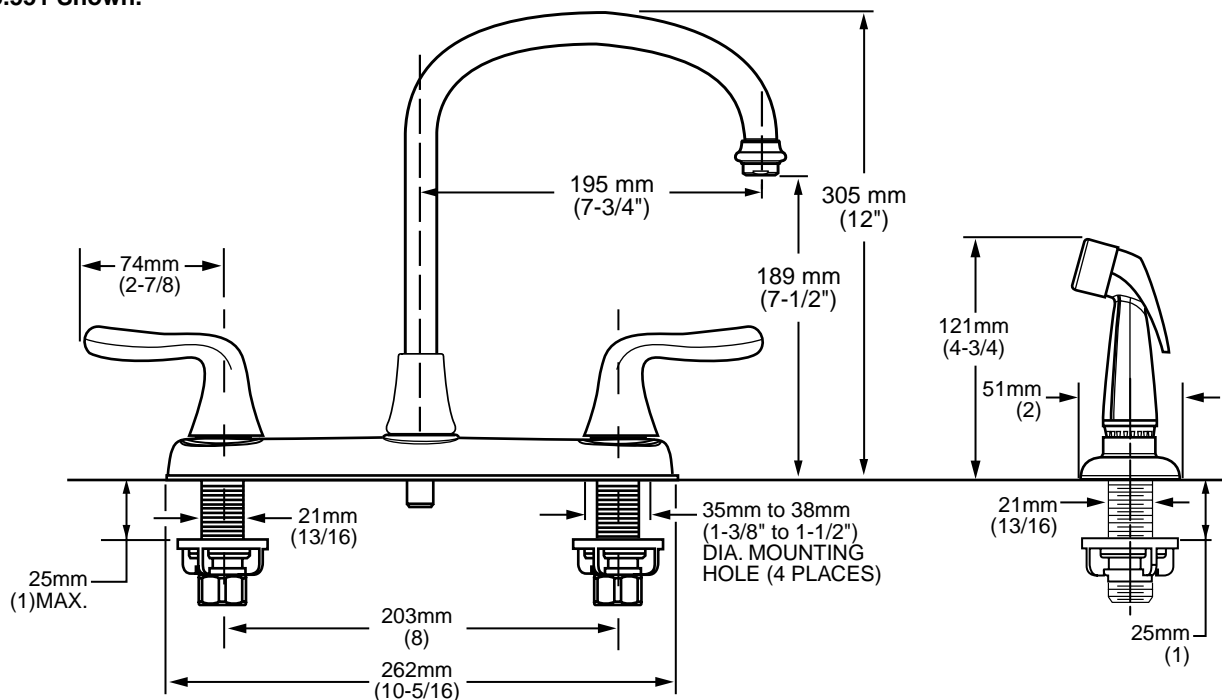
### TWO-HANDLE KITCHEN FAUCET with BRASS GOOSENECK SPOUT

#### MODEL NUMBER:

- 4275.550 Kitchen Faucet**  
Metal Lever Handles. Less Handspray.
- 4275.551 Kitchen Faucet**  
Metal Lever Handles. Separate Handspray.



4275.551 Shown.



#### GENERAL DESCRIPTION:

Kitchen faucet on 8" centers. 1/4 turn washerless ceramic disc valve cartridges. Durable cast brass waterway with 1/2" male inlet shanks. Brass gooseneck swing spout. Metal escutcheon plate (escutcheon size 10-5/16"L x 2-3/8"W). 2.2gpm/8.3L/min. maximum flow rate. Metal lever handles.

#### PRODUCT FEATURES:

**Cast Brass Waterways with "City Shanks":** Strong and durable. Integral tabs on casting provide a wobble-free installation.

**Ceramic Disc Valve Cartridges:** Assures a lifetime of drip-free performance. Reversible for use on either "hot" or "cold" side.

**Low Lead:** Meets NSF Standard 61/Section 9 & Prop 65 lead requirements.

**Simple Installation:** Fast and easy one person installation. Faucet drops in from top. Quick spin nuts secure faucet in place.

#### SUGGESTED SPECIFICATION:

Two handle kitchen faucet shall feature a cast brass waterway. Shall also feature 1/4 turn washerless ceramic disc valve cartridges that are reversible for use on either "hot" or "cold" side. Brass gooseneck swivel spout. Fitting shall be American Standard Model #4275.5\_\_\_\_\_.



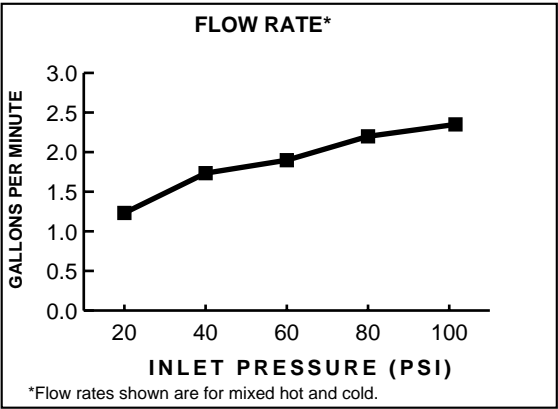
# COLONY SOFT

**TWO-HANDLE KITCHEN FAUCET  
with BRASS GOOSENECK SPOUT**

## CODES AND STANDARDS

These products meet or exceed the following codes and standards:

- ASME A112.18.1**
- CSA B 125**
- NSF 61/Section 9**
- ANSI A117.1**



Product Number	Description	Finish Options	
		Polished Chrome	PVD Polished Brass
		002	099
4275.550	Kitchen faucet. Metal Lever handles. Less Handspray.		
4275.551	Kitchen faucet. Metal Lever handles. Separate Handspray.		

Meets the American Disabilities Act Guidelines and **ANSI A117.1** Requirements for the physically challenged.