



EV9100-91

HFC-10 System

Deliming system for warewashing equipment



HFC-10 Delimiting System: EV9100-91

HT-10 Replacement Cartridge: EV9799-22

BENEFITS

Provides simple, efficient delimiting of commercial warewashing equipment

Uses ScaleKleen, Everpure's proprietary food-grade scale remover which is environmentally safe

Reduces limescale deposits which can cause equipment failure

Improves equipment efficiency, helps extend the life of equipment and reduces maintenance costs

System includes a heavy-duty housing, dip tube assembly, 2.2 lb. ScaleKleen package and hardness test strip

INSTALLATION TIPS

System must be installed on inlet water line to equipment

Installing a by-pass for delimiting is recommended

Use 1/2" water line

Install vertically using the mounting bracket provided

OPERATION TIPS

Follow delimiting schedule as noted in operation manual

To determine water hardness and frequency of delimiting, follow instructions on hardness test strip package and compare to hours of operation

APPLICATION/SIZING

Commercial dishwashers

Commercial glassware washers

Warewashing booster heaters

HFC-10 System

SPECIFICATIONS

Overall Dimensions:
12-1/2"H x 5-1/2"W x 5-1/2"D

Inlet connection: 1/2"

Outlet connection: 1/2"

Service Flow Rate:
Maximum 6 gpm (22.7 Lpm)

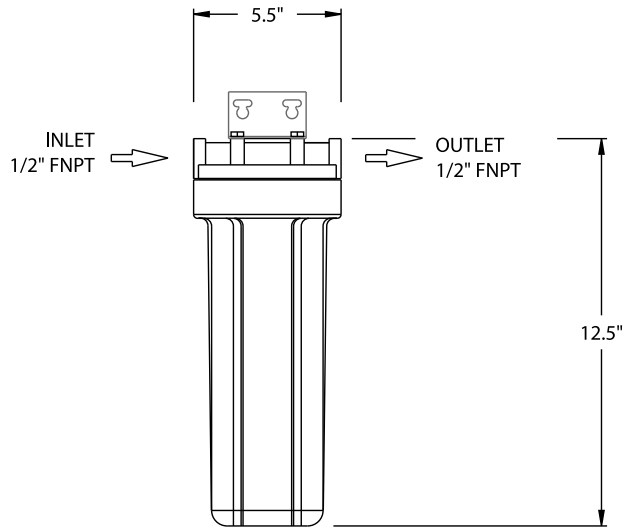
Pressure Requirements:
10 - 125 psi (0.7 - 8.6 bar), non-shock

Temperature: 160°F (94°C)

No electrical connection required

Shipping Weight: 7 lbs.

Operating Weight: 10 lbs.



WARRANTY

Everpure water treatment systems (excluding replaceable elements) are covered by a limited warranty against defects in material and workmanship for a period of five years after date of purchase. Everpure replaceable elements (filter cartridges and water treatment cartridges) are covered by a limited warranty against defects in material and workmanship for a period of one year after date of purchase. See printed warranty for details. Everpure will provide a copy of the warranty upon request.

EVERPURE®

EVERPURE, INC.
2375 Sanders Road
Northbrook, IL 60062
Toll Free (800) 323-7873
Tel (847) 205-6000
Fax (800) 942-0081
<http://www.everpure.com>

In Europe:
N.V. EVERPURE (EUROPE) S.A.
Geldenaaksebaan 478
B-3001 Heverlee
Belgium
Tel 32-16-401191
FAX 32-16-402691

In Japan:
EVERPURE JAPAN, INC.
1-8-19, Tsumada Kita,
1-Chome, Atsugi City
Kanagawa Ken 243-0812
Japan
Tel 81-462-23-6563
FAX 81-462-21-6775

Everpure, Inc.
2375 Sanders Road
Northbrook, IL 60062
Phone: 800-323-7873 Fax: 800-942-0081