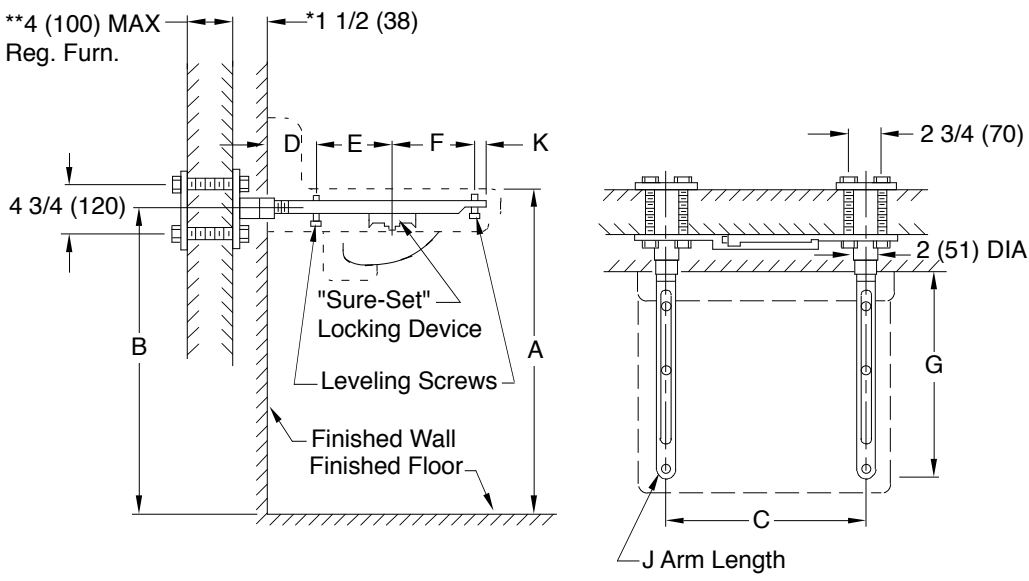


## LAVATORY SUPPORTS WITH CONCEALED ARMS

### WALL MOUNTED



**Fig. 0720 . . . FOR HIGH BACK LAVATORIES SET ON MASONRY OR STUD WALL**

\*This dimension can be increased when required (specify thickness).  
 \*\*For greater wall thickness, longer supporting studs can be furnished (specify wall thickness).

#### ROUGHING-IN TABLE

FIXTURE MFG.	NAME	NUMBER	SIZE	A	B	C	D	E	F	G	J	K
AM. STD.	LUCERNE	0350.132	20 x 18 (510 x 455)	31 (785)	29 1/4 (745)	16 3/4 (425)	4 (100)	6 (150)	6 (150)	16 1/2 (420)	19 (485)	1/2 (13)
AM. STD.	LUCERNE	0350.603	24 x 20 (610 x 510)	31 (785)	29 1/4 (745)	20 1/4 (515)	4 (100)	7 (180)	7 (180)	18 1/2 (470)	20 (510)	1/2 (13)
AM. STD.	LUCERNE	0351.072	20 x 18 (510 x 455)	31 (785)	29 1/4 (745)	16 3/4 (425)	4 (100)	6 (150)	6 (150)	16 1/2 (420)	19 (485)	1/2 (13)
AM. STD.	LUCERNE	0351.247	24 x 20 (610 x 510)	31 (785)	29 1/4 (745)	20 1/4 (515)	4 (100)	7 (180)	7 (180)	18 1/2 (470)	20 (510)	1/2 (13)
CRANE	NORWICH	1-194	20 x 18 (510 x 455)	31 (785)	29 3/8 (748)	16 1/4 (415)	4 (100)	5 5/8 (143)	4 3/8 (113)	14 1/2 (370)	16 (405)	1/2 (13)
CRANE	NORWICH	1-194	24 x 21 (610 x 535)	31 (785)	29 3/8 (748)	19 1/2 (495)	4 (100)	5 5/8 (143)	7 1/8 (183)	17 1/4 (440)	19 (485)	1/2 (13)
ELJER	DELWYN	051-1634, 1838	18 (455) x 15 (380)	31 (785)	29 1/4 (745)	15 1/2 (395)	3 (76)	5 (125)	4 3/4 (120)	13 1/2 (345)	17M (430)	3/4 (19)
ELJER	SIGNATURE	051-2101, 4, 8	20 (510) x 18 (455)	34 (865)	32 (815)	17 (430)	4 (100)	5 5/8 (143)	5 5/8 (143)	15 3/4 (400)	18M (455)	1/2 (13)
KOHLER	GREENWICH	K-2030, 1, 2, 4, 6	20 x 18 (510 x 455)	31 (785)	29 (735)	17 1/4 (440)	3 1/4 (83)	5 1/4 (135)	5 1/4 (135)	14 1/4 (360)	16 (405)	1/2 (13)
KOHLER	GREENWICH	K-2030, 1, 2, 4, 6	24 x 20 (610 x 510)	31 (785)	29 (735)	19 (485)	3 1/4 (83)	5 3/4 (145)	6 1/4 (160)	16 3/4 (425)	19 (485)	1 1/2 (38)
U. RUNDLE	NEW CAMDEN	4648, 9	20 x 18 (510 x 455)	31 (785)	29 3/8 (748)	16 1/4 (415)	4 1/2 (115)	2 1/2 (64)	4 (100)	13 1/2 (345)	16 (405)	2 1/2 (64)

**NOTE:** The rough-in dimensions listed on this drawing are based on current information available to Jay R. Smith by the fixture manufacturers. We recommend that you verify these dimensions with the fixture manufacturer. We will not accept responsibility for rough-in dimension changes by the fixture manufacturer.

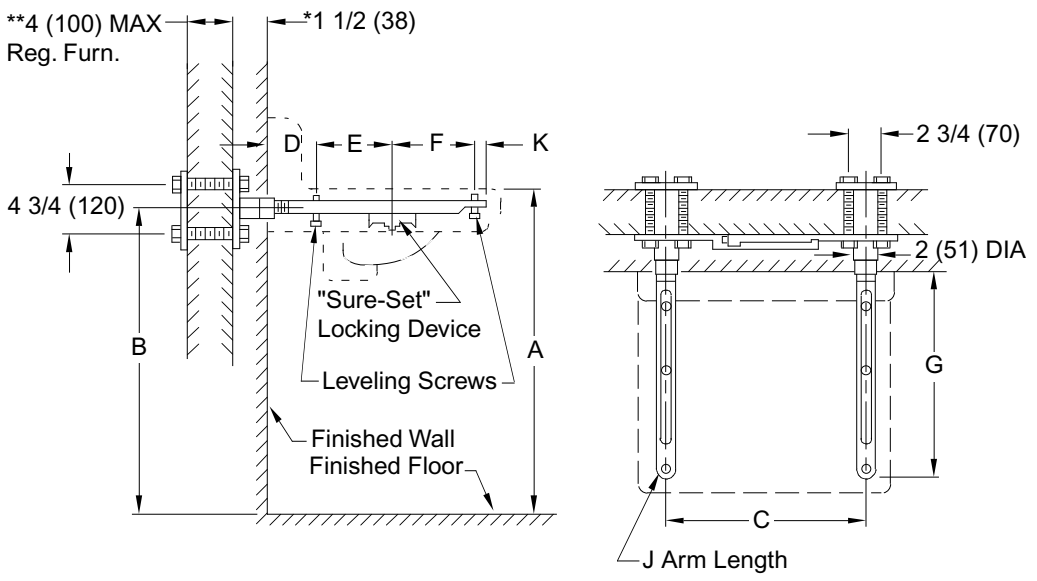
**NOTE:** Dimensions shown in parenthesis are in millimeters.

DRAWING NUMBER: S0720  
 SIZE: A  
 SCALE: NONE  
 DATE: 12-12-74  
 APPROVED BY:  
 CHECKED BY:  
 DRAWN BY: RAS  
 FIGURE NUMBER: 0720  
 DIMENSIONS ARE SUBJECT TO MANUFACTURERS TOLERANCE AND CHANGE WITHOUT NOTICE  
 WE CAN ASSUME NO RESPONSIBILITY FOR USE OF SUPERSEDED OR VOID DATA

H G F	03/06/02 4-10-95 9-22-94	Revised Roughing-in Table Chg'd Dim, added Millimeters Submittal Update	JJ EMB EMB	CL BS BS	WEIGHT POUNDS	VOLUME CUBIC FEET	FIGURE NUMBER <b>0720</b>
REV.	DATE	DESCRIPTION	BY	CKD. BY			

## LAVATORY SUPPORTS WITH CONCEALED ARMS

### WALL MOUNTED



**Fig. 0720 . . . FOR HIGH BACK LAVATORIES SET ON MASONRY OR STUD WALL**

\*This dimension can be increased when required (specify thickness).  
 \*\*For greater wall thickness, longer supporting studs can be furnished (specify wall thickness).

#### ROUGHING-IN TABLE

FIXTURE NAME		NUMBER		SIZE				
A	B	C	D	E	F	G	J	K

**NOTE:** The rough-in dimensions listed on this drawing are based on current information available to Jay R. Smith by the fixture manufacturers. We recommend that you verify these dimensions with the fixture manufacturer. We will not accept responsibility for rough-in dimension changes by the fixture manufacturer.

**NOTE:** Dimensions shown in parenthesis are in millimeters.

DRAWING NUMBER: **S0720 (B)**  
 SIZE: **A**  
 SCALE: **NONE**  
 DATE: **10-11-77**  
 APPROVED BY: **RP**  
 CHECKED BY: **TS**  
 DRAWN BY: **TS**  
 FIGURE NUMBER: **0720**

WE CAN ASSUME NO RESPONSIBILITY FOR USE OF SUPERSEDED OR VOID DATA

D	4-10-95	Chg'd Dim, Added Millimeters	EMB		WEIGHT POUNDS	VOLUME CUBIC FEET	FIGURE NUMBER
C	6-22-94	Revised	EMB	BS			<b>0720</b>
B	8-9-93	Submittal Update	EMB	BS			
REV.	DATE	DESCRIPTION	BY	CKD. BY			