

FUNNEL-CEPTOR® INDIRECT WASTE DRAINS WITH ADJUSTABLE STRAINER HEADS

FUNCTION: Used to receive waste water from indirect waste lines. Exposed grate surrounding funnel serves as drain for surrounding floor area. Adjustable strainer heads permit accurate positioning to meet finished floor level.

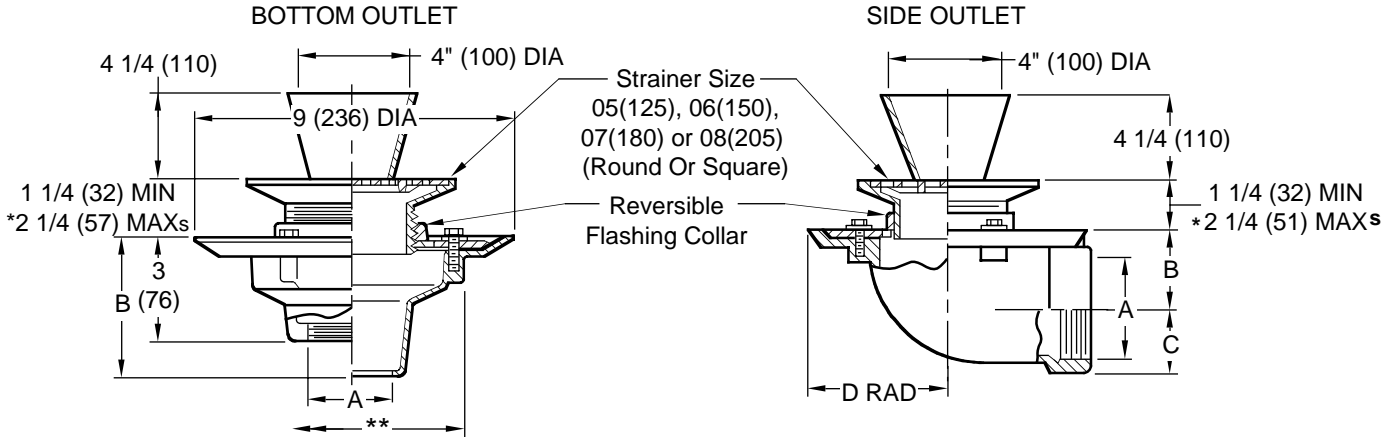


Fig. 3510C . . . CAULK OUTLET
 Fig. 3510T . . . THREADED OUTLET
 Fig. 3510Y . . . NO-HUB OUTLET

Fig. 3515T . . . THREADED OUTLET

A SIZE	02 (50)	03 (80)	04 (100)
B	4 (100) for Caulk, NO-HUB and Speedi-Set 3 (76) for Threaded		

A	B	C	D
02 (50)	2 3/4 (70)	1 1/4 (32)	4 3/4 (120)
03 (80)	2 3/4 (70)	2 1/4 (57)	4 3/4 (120)
04 (100)	3 1/4 (83)	3 1/4 (83)	6 (150)

Strainer Size	Collar In High Position		Collar In Low Position		Free Area SQ IN (SQ CM)	
	MIN	MAX	MIN	MAX	Round	Square
DIA or SQ						
05 (125)	1 1/4 (32)	2 1/4 (57)	3/4 (19)	1 5/8 (41)	7 (45)	6.5 (42)
06 (150)	1 1/4 (32)	2 1/4 (57)	3/4 (19)	1 5/8 (41)	9 (58)	12.5 (81)
07 (180)	1 1/4 (32)	2 1/4 (57)	7/8 (22)	1 7/8 (48)	14 (90)	11 (71)
08 (205)	1 1/2 (38)	2 1/2 (64)	1 (25)	1 7/8 (48)	17 (110)	14 (90)

NOTE: Dimensions shown in parentheses are in millimeters.

**Min 6 3/4 (170) hole required for core drilled application

REGULARLY FURNISHED:

Duco Cast Iron Body and Flashing Collar with Adjustable Strainer Head with Secured Square Hole Grate and Funnel attached to the grate with concealed screws, permitting funnel to be moved to different positions on the grate. Type of Body and Strainer Head as indicated by Figure Number and Strainer Suffix Letter Selected.

SEE PM2789A FOR OPTIONAL STRAINER HEADS

VARIATIONS:

BODY:

- L Speedi-Set Service Weight (Fig. 3510 only)
- LXH Speedi-Set Extra Heavy (Fig. 3510 only)
- Trap Primer Connection -P05 (1/2") -P075 (3/4")

STRAINER HEAD:

- Backwater Valve -V
- Ball Float Backwater Valve -BFV
- Sediment Bucket -B
- Vandal Proof Grate -U
- 6" (150) Dia. Funnel (Fig. 3581)
- 6(160) x 2 1/2(64) x 1"(25) High Oval Funnel (Fig. 3590)

OPTIONAL MATERIALS:

- Cast Bronze Body -BB
- Chrome Plated Strainer -CP (See Strainers)
- Galvanized Body -G
- Nickel Bronze Strainer -NB (See Strainers)
- Polished Bronze Strainer -PB (See Strainers)

NOTES: All strainer shanks have 3 3/4" (95) -12 Thd. Collar not reversible in 4" (100) size.

* Deduct 1/2" (13) when collar is inverted. sAdd 1/4" (6) for 8" (205) strainer

E	4-17-96	Added TPC	CMD	CL
D	6-28-95	Added Millimeters	EMB	CL
C	7-21-94	Submitted Update	EMB	BS
B	3-2-92	Rev Table	EMB	BS
A	5-27-86	Rev Reg Furn		CR
REV.	DATE	DESCRIPTION	BY	CKD. BY

WEIGHT POUNDS

VOLUME CUBIC FEET

FIGURE NUMBER

3510, 3515

DRAWING NUMBER
S3510

SIZE
A

SCALE:
NONE

DATE:
9-19-85

APPROVED BY:
SJM

CHECKED BY:
JD

DRAWN BY:
CM

FIGURE NUMBER
3510, 3515

DIMENSIONS ARE SUBJECT TO MANUFACTURERS TOLERANCE AND CHANGE WITHOUT NOTICE WE CAN ASSUME NO RESPONSIBILITY FOR USE OF SUPERSEDED OR VOID DATA

D



JAY R. SMITH MFG. CO.®
 DIVISION OF SMITH INDUSTRIES, INC.
 POST OFFICE BOX 3237
 MONTGOMERY, ALABAMA 36109-0237 (USA)
 TEL: 334-277-8520 FAX: 334-272-7396 www.jrsmith.com



LOCATION

DRAWING NUMBER
PM2789 Pg 1 of 2

SIZE
A

SCALE:
NONE

DATE:
9-19-85

APPROVED BY:
SJM

CHECKED BY:
J.D.

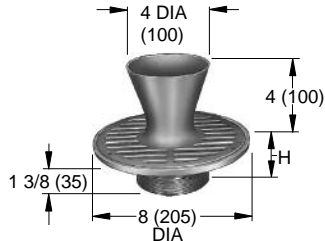
DRAWN BY:
PJ

**3510 SERIES
 OPTIONAL
 STRAINER HEADS**

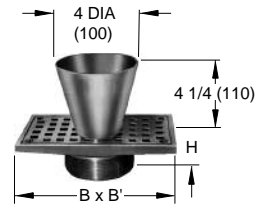
FIGURE
 NUMBER

OPTIONAL ADJUSTABLE STRAINER HEADS

ROUND TOP
 ROUND INTEGRAL FUNNEL
 (SUFFIX -F10)



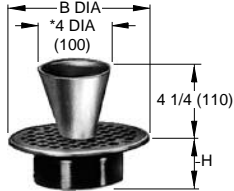
RECTANGULAR TOP
 ROUND FUNNEL
 (Suffix -F13, -F14, -F15,
 -F16, -F17 & -F18)



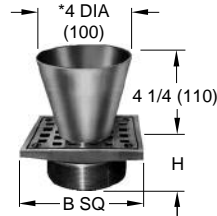
*SUFFIX	-F10	-F13	-F14	-F15	-F16	-F17	-F18
B X B'	-	4 1/4 (110) x 8 (205)	4 (100) x 12 (305)	5 (125) x 9 (230)	5 (125) x 13 (330)	5 (125) x 17 (430)	6 (150) x 10 (255)
H	2 3/8 (60)	2 1/4 (57)	2 1/2 (64)	2 1/4 (57)	3 (76)	3 (76)	2 1/4 (57)
X	MIN	1 1/2 (38)	1 3/8 (35)	1 7/8 (48)	1 3/8 (35)	2 1/8 (54)	2 1/4 (57)
	MAX	2 1/2 (64)	2 1/4 (57)	2 3/4 (70)	2 3/8 (60)	3 (76)	3 1/8 (79)

*Specify Size, Type & Finish. eg: -F10-08CP

ROUND TOP
 ROUND FUNNEL
 (SUFFIX -F11)



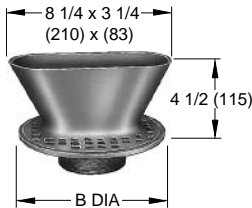
SQUARE TOP
 ROUND FUNNEL
 (SUFFIX -F12)



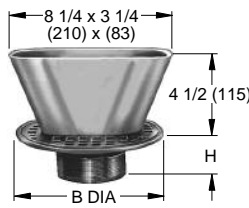
*SUFFIX	-F11 & -F12						
B DIA or SQ	05 (125)	06 (150)	07 (180)	08 (205)	09 (230)	10 (255)	
H	2 (51)	2 (51)	2 1/4 (57)	2 1/2 (64)	2 1/2 (64)	2 3/4 (70)	
X	MIN	1 1/4 (32)	1 1/4 (32)	1 1/4 (32)	1 1/2 (38)	1 1/2 (38)	1 1/2 (38)
	MAX	2 1/4 (57)	2 1/4 (57)	2 1/4 (57)	2 1/2 (64)	2 1/2 (64)	2 3/8 (60)

*Specify Size, Type & Finish. eg: -F11-06CP

ROUND TOP
 OVAL INTEGRAL FUNNEL
 (SUFFIX -F19)



ROUND TOP
 OVAL FUNNEL
 (Suffix -F20, -F21,
 -F22, -F23 & -F24)



*SUFFIX	-F19	-F20	-F21	-F22	-F23	-F24
B DIA	08 (205)	06 (150)	07 (180)	08 (205)	09 (230)	10 (255)
H	2 1/2 (64)	2 (51)	2 1/4 (57)	2 1/2 (64)	2 1/2 (64)	2 3/4 (70)
X	MIN	1 1/2 (38)	1 1/4 (32)	1 1/4 (32)	1 1/2 (38)	1 1/2 (38)
	MAX	2 1/2 (64)	2 1/4 (57)	2 1/4 (57)	2 1/2 (64)	2 1/2 (64)

*Specify Size, Type & Finish. eg: -F19CP

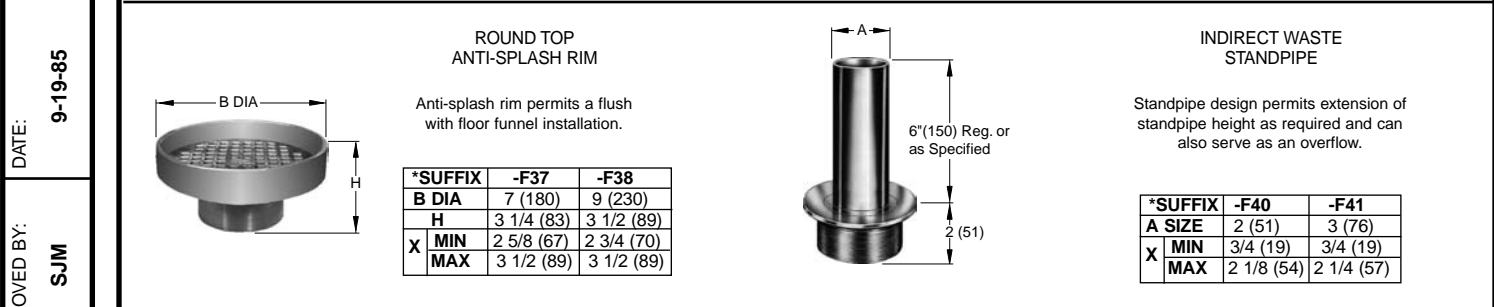
D	7-31-08	Revised Dim	TBW	CL	WEIGHT POUNDS	VOLUME CUBIC FEET	FIGURE NUMBER 3510 SERIES OPTIONAL STRAINER HEADS
C	11-2-95	Revised	EMB	BS			
B	7-27-95	Added Millimeters & Made 2 Pgs	EMB	BS			
REV.	DATE	DESCRIPTION	BY	CKD. BY			

OPTIONAL ADJUSTABLE STRAINER HEADS



*SUFFIX	-F25	-F26	-F27	-F28	-F29
B SQ	06 (150)	07 (180)	08 (205)	09 (230)	10 (255)
H	2 (51)	2 1/4 (57)	2 1/2 (64)	2 1/2 (64)	2 3/4 (70)
X	MIN	1 1/4 (32)	1 1/4 (32)	1 1/2 (38)	1 1/2 (38)
	MAX	2 1/4 (57)	2 1/2 (64)	2 1/2 (64)	2 3/4 (70)

*SUFFIX	-F30	-F31	-F32	-F33	-F34	-F35
B x B'	4 1/4 X 8 (110) X (205)	4 x 12 (100) x (305)	5 x 9 (125) x (230)	5 x 13 (125) x (330)	6 x 10 (150) x (255)	5 x 17 (125) x (430)
H	2 1/2 (57)	2 1/2 (64)	2 1/4 (57)	3 (76)	2 1/4 (57)	3 (76)
X	MIN	1 3/8 (35)	1 7/8 (48)	1 3/8 (35)	2 1/8 (54)	2 1/4 (57)
	MAX	2 3/8 (60)	2 3/4 (70)	2 3/8 (60)	3 (76)	2 3/8 (60)



*Specify Size, Type & Finish. eg: -F40NB or -F41CP
FUNNEL ASSEMBLIES ONLY

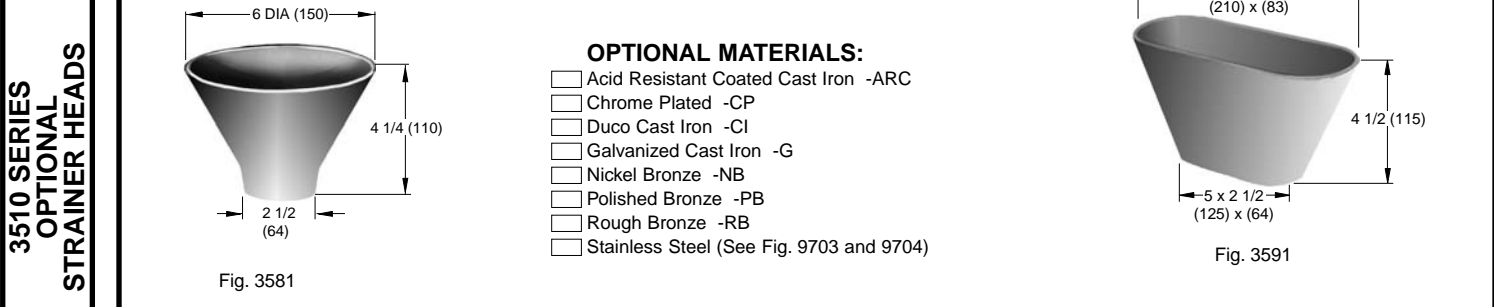
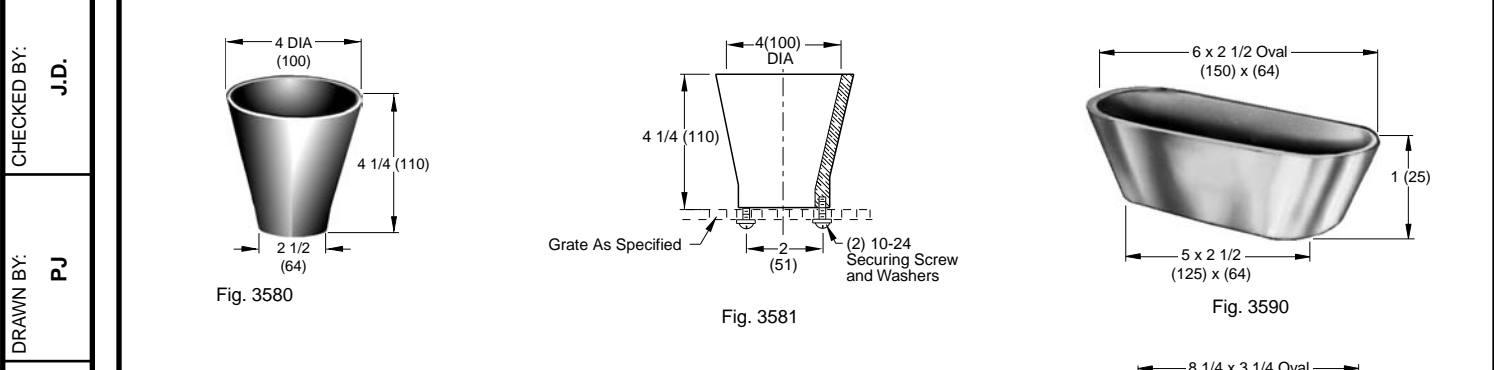


FIGURE NUMBER	C	7-31-08	Revised Dim & Table	TBW	CL	WEIGHT POUNDS	VOLUME CUBIC FEET	FIGURE NUMBER 3510 SERIES OPTIONAL STRAINER HEADS
	B	7-27-95	Added MM's & Made 2 Pgs	EMB	BS			
	A	1-30-95	Submittal Update	CMB	BS			
	REV.	DATE	DESCRIPTION	BY	CKD. BY			

3510 SERIES OPTIONAL STRAINER HEADS

DRAWING NUMBER
PM2789 Pg 2 of 2

SCALE:
NONE

DATE:
9-19-85

CHECKED BY:
J.D.

DRAWN BY:
PJ

APPROVED BY:
SJM