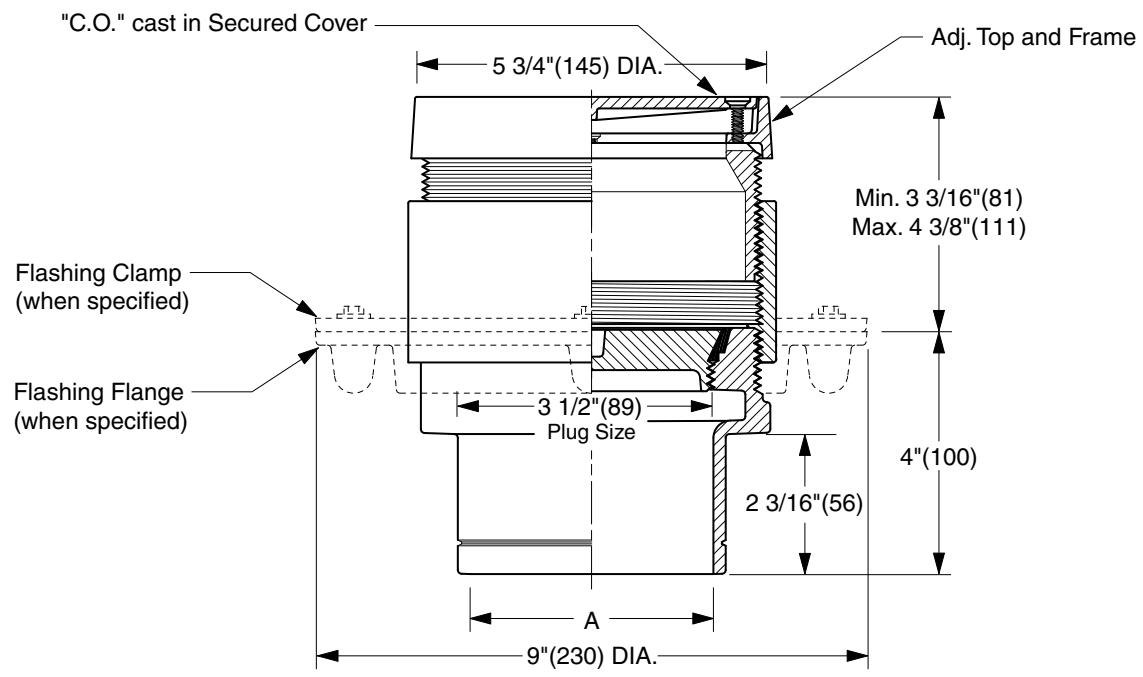


# FINISHED FLOOR CLEANOUTS WITH "TWIS-TO-FLOOR®" ADJUSTABLE TOPS

## ROUND NICKEL BRONZE TOP

**FUNCTION:** For use in finished floors bearing foot and medium load wheeled traffic. Allows for easy floor level adjustment.



**NOTE:** For applications using core drilling, the largest diameter of the cleanout assembly is 6 5/16" (160).

"A" (Pipe Size) = 02(50), 03(75), 04(100) or 05(125)

- Fig. 4020S.....Gasket Seal - ABS Plug
- Fig. 4021S.....Gasket Seal - Bronze Plug
- Fig. 4023S.....Taper Thread - Bronze Plug
- Fig. 4024S.....Taper Thread - ABS Plug

(Twis-to-Floor® design shown with gasketed plug.)

**REGULARLY FURNISHED:**

Duco Cast Iron Cleanout with Round Adjustable Scoriated Secured Nickel Bronze Top. Closure Plug Type as Indicated By Figure Number Selected.

**VARIATIONS:**

- Flashing Flange -F
- Flange with Flashing Clamp -F-C
- Carpet Clamping Type -X
- Carpet Marker Type -Y
- Vandal Proof Top -U
- Wide Flange (DX)

**OPTIONAL MATERIALS:**

- Galvanized Cast Iron -G
- Polished Bronze Top -PB

**NOTE:** Dimensions shown in parentheses are in millimeters.

DRAWING NUMBER S4020  
 SIZE A  
 SCALE: NONE  
 DATE: 2-16-70  
 APPROVED BY: JM  
 CHECKED BY: BH  
 DRAWN BY: RK  
**4020 SERIES**  
 DIMENSIONS ARE SUBJECT TO MANUFACTURERS TOLERANCE AND CHANGE WITHOUT NOTICE  
 CUSTOMER DRIVEN

REV.	DATE	DESCRIPTION	BY	CKD. BY	WEIGHT POUNDS	VOLUME CUBIC FEET	<b>FIGURE NUMBER</b>
							<b>4020 SERIES</b>



**JAY R. SMITH MFG. CO.**  
 DIVISION OF SMITH INDUSTRIES, INC.  
 POST OFFICE BOX 3237  
 MONTGOMERY, ALABAMA 36109-0237 (USA)  
 TEL: 334-277-8520 FAX: 334-272-7396 www.jrsmith.com

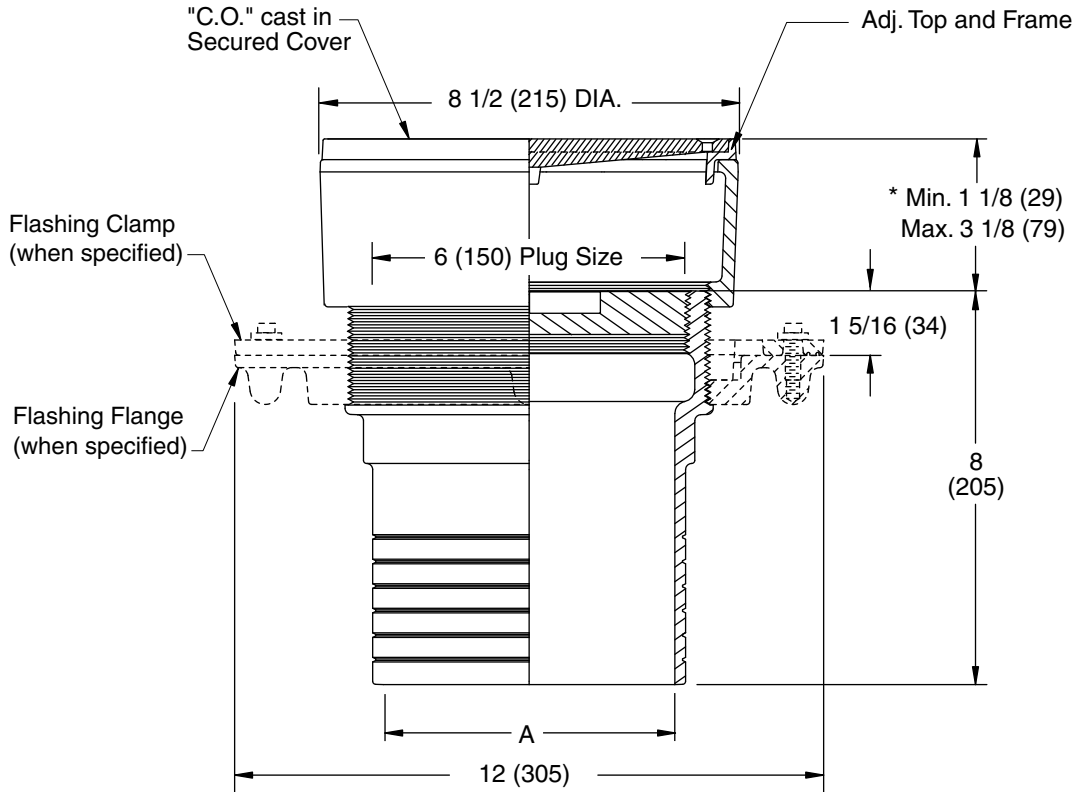


LOCATION

# FINISHED FLOOR CLEANOUTS WITH "TWIS-TO-FLOOR®" ADJUSTABLE TOPS

## ROUND NICKEL BRONZE TOP

**FUNCTION:** For use in finished floors bearing foot and medium load wheeled traffic. Allows for easy floor level adjustment.



### SPIGOT OUTLET▲

"A" (Pipe Size) = 06(150) & 08(200)

▲ Sized for Service Weight and/or NO-HUB.

\* When Flange-F is specified Min. 1 1/8 (29) becomes 1 5/8 (41)

### "TWIS-TO-FLOOR®" ADJUSTMENT

#### SPIGOT OUTLET▲

Fig. 4023S.....Taper Thread - Bronze Plug

#### REGULARLY FURNISHED:

Duco Cast Iron Cleanout with Taper Thread Bronze Plug and Round Adjustable Scoriated Secured Nickel Bronze Top.

#### VARIATIONS:

- Flashing Flange -F
- Flange with Flashing Clamp -F-C
- Carpet Clamping Type -X
- Carpet Marker Type -Y
- Vandal Proof Top -U
- Wide Flange (DX)

#### OPTIONAL MATERIALS:

- Galvanized Cast Iron -G
- Polished Bronze Top -PB

**NOTE:** Dimensions shown in parentheses are in millimeters.

DRAWING NUMBER  
S4020BS

SIZE  
A

SCALE:  
NONE

DATE:  
5-5-06

APPROVED BY:  
CEL

CHECKED BY:  
CL

DRAWN BY:  
RN

FIGURE NUMBER  
4023

WE CAN ASSUME NO RESPONSIBILITY FOR USE OF SUPERSEDED OR VOID DATA

REV.	DATE	DESCRIPTION	BY	CKD. BY

WEIGHT POUNDS	VOLUME CUBIC FEET

FIGURE NUMBER <b>4023</b>
------------------------------