

N

**SMITH® JAY R. SMITH MFG. CO.®**  
 DIVISION OF SMITH INDUSTRIES, INC.  
 POST OFFICE BOX 3237  
 MONTGOMERY, ALABAMA 36109-0237 (USA)  
 TEL: 334-277-8520 FAX: 334-272-7396 www.jrsmith.com



LOCATION

DRAWING NUMBER  
S4237

SIZE  
A

SCALE:  
NONE

DATE:  
2-16-70

APPROVED BY:  
JM

CHECKED BY:  
BH

DRAWN BY:  
RK

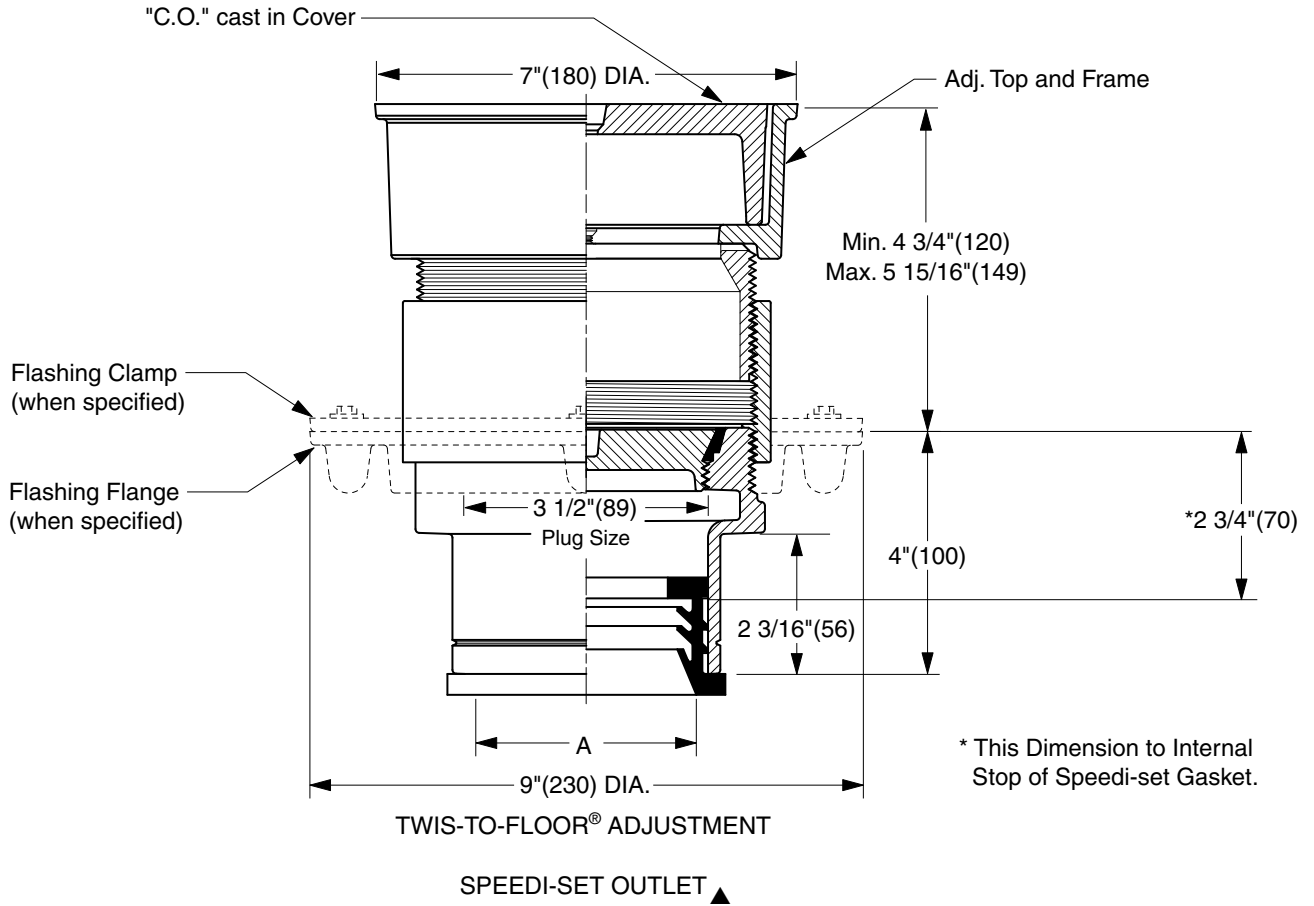
**4237 SERIES**

DIMENSIONS ARE SUBJECT TO MANUFACTURERS TOLERANCE AND CHANGE WITHOUT NOTICE

# FLOOR CLEANOUTS WITH "TWIS-TO-FLOOR®" ADJUSTABLE TOPS FOR UNFINISHED AREAS

## ROUND CAST IRON TOP - TRACTOR COVER

**FUNCTION:** Used in unfinished areas where a loose set, non-tilt tractor cover is desired. Will withstand heavy load traffic.



"A" (Pipe Size) = 02(50), 03(75) or 04(100)

- Fig. 4237L.....Gasket Seal - ABS Plug
- Fig. 4238L.....Gasket Seal - Bronze Plug
- Fig. 4239L.....Taper Thread - Bronze Plug
- Fig. 4236L.....Taper Thread - ABS Plug

(Twis-to-Floor® design shown with gasketed plug.)

**NOTE:** Dimensions shown in parentheses are in millimeters.

▲ Available in Extra Heavy, Service Weight or NO-HUB.

**REGULARLY FURNISHED:**  
 Duco Cast Iron Cleanout with Round Adjustable Scoriated Cast Iron Top with Non-Tilt Tractor Cover. Closure Plug Type as Indicated by Figure Number Selected.

- VARIATIONS:**
- Center Securing Screw -CSS
  - Vandal Proof Center Securing Screw -U
  - Flashing Flange -F
  - Flange with Flashing Clamp -F-C

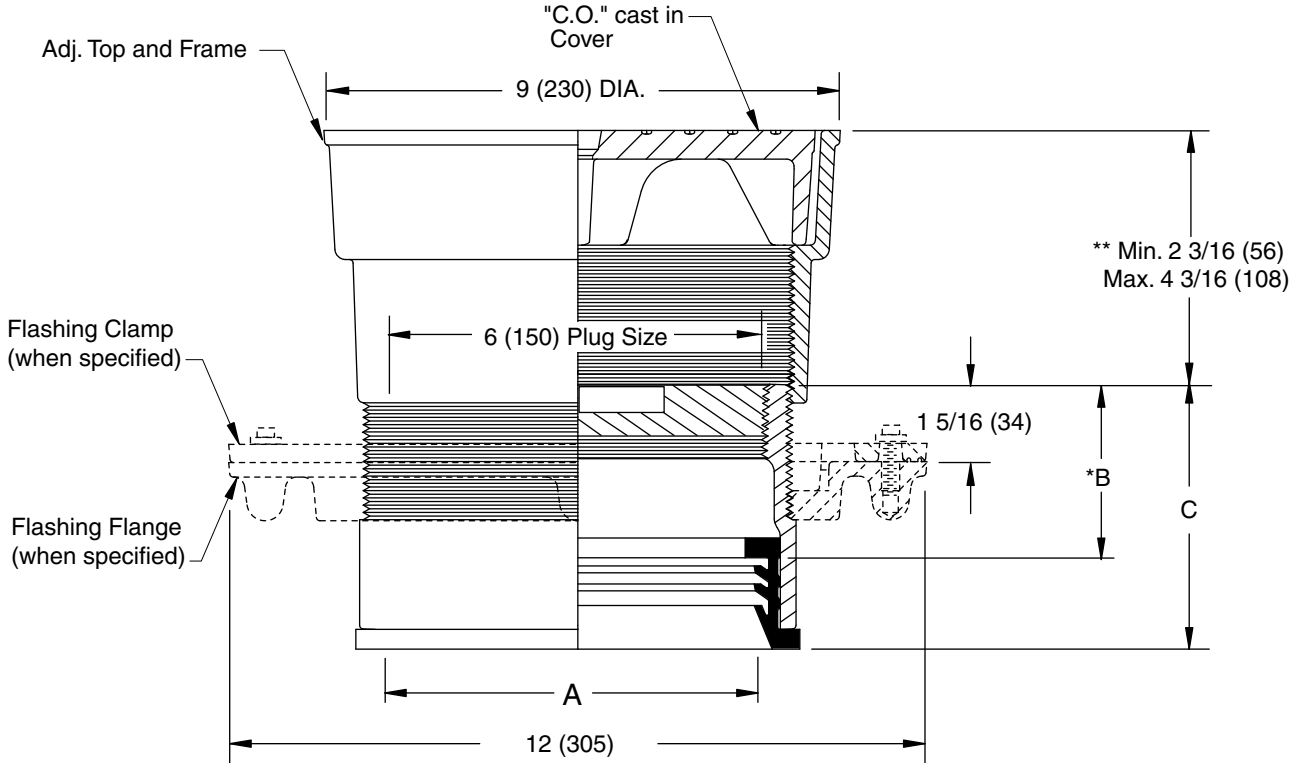
- OPTIONAL MATERIALS:**
- Galvanized Cast Iron -G
  - Ductile Iron Cover -M
  - Nickel Bronze Top -NB
  - Polished Bronze Top -PB

REV.	DATE	DESCRIPTION	BY	CKD. BY	WEIGHT POUNDS	VOLUME CUBIC FEET	FIGURE NUMBER
N	07/29/02	Corrected Clamp & Flange view	JJ	CL			<b>4237 SERIES</b>
M	04/12/01	Added dimension and note	JJ	CL			
L	10/31/00	New design	JJ	BS			

# FLOOR CLEANOUTS WITH "TWIS-TO-FLOOR®" ADJUSTABLE TOPS FOR UNFINISHED AREAS

## ROUND CAST IRON TOP - TRACTOR COVER

**FUNCTION:** Use in unfinished areas where a loose set, non-tilt tractor cover is desired. Will withstand heavy load traffic.



**SPEEDI-SET OUTLET ▲**

"A" (Pipe Size) = 06(150) & 08(200)

A SIZE	B	C
06(150)	*3(76)	4 9/16(117)
08(200)	*3 1/4(83)	4 13/16(121)

▲ Available in "L" Service Weight, "LXH" Extra Heavy or "LPVC" PVC or ABS. "LPVC" applicable to 06(150) Pipe Size only.

\* This Dimension to Internal Stop of Speedi-Set Gasket.

\*\* When Flange-F is specified Min. 2 3/16 (56) becomes 2 11/16 (68)

**"TWIS-TO-FLOOR®" ADJUSTMENT**

**SPEEDI-SET OUTLET ▲**

Fig. 4239L.....Taper Thread - Bronze Plug

**REGULARLY FURNISHED:**  
 Duco Cast Iron Cleanout with Taper Thread Bronze Plug and Round Adjustable Scoriated Cast Iron Top with Non-Tilt Tractor Cover.

**VARIATIONS:**

- Flashing Flange -F
- Flange with Flashing Clamp -F-C
- Vandal Proof Top -U
- Center Securing Screw -CSS

**OPTIONAL MATERIALS:**

- Galvanized Cast Iron -G
- Polished Bronze Top -PB
- Nickel Bronze Top -NB
- Ductile Iron Cover -M

**NOTE:** Dimensions shown in parentheses are in millimeters.

DRAWING NUMBER  
S4237BS

SIZE  
A

SCALE:  
NONE

DATE:  
5-5-06

APPROVED BY:  
CEL

CHECKED BY:  
CL

DRAWN BY:  
RN

FIGURE NUMBER  
4239

DIMENSIONS ARE SUBJECT TO MANUFACTURERS TOLERANCE AND CHANGE WITHOUT NOTICE

REV.	DATE	DESCRIPTION	BY	CKD. BY

WEIGHT POUNDS	VOLUME CUBIC FEET

<b>FIGURE NUMBER</b> <b>4239</b>
-------------------------------------