

ELKAY[®]

SPECIFICATIONS

Asana[®] Undermount Single Bowl Lavatory Sink Model ELUH1811

NEW ELUH Installation Options

ELUH models have been redesigned to accommodate 1/2" reveal and no reveal installation options.

GENERAL

Highest quality sink bowl seamlessly formed of #18 gauge, type 304 (18-8) nickel bearing stainless steel. Undermount.

DESIGN FEATURES

Bowl Depth: 6-1/4".

Finish: Exposed surfaces are polished to a Lustrous Highlighted Satin finish.

Underside: Fully protected by heavy duty Sound Guard[®] undercoating to dampen sound and reduce condensation.

OTHER

Drain Opening: 1-1/2" (38mm), 2-1/4" (57mm) O.D at top of countersink. Arranged for standard lavatory type drain fitting.

Overflow: Sink comes with overflow assembly.

Note: All Elkay custom design undermount sinks are designed to affix easily to the underside of any solid surface countertop.

Installation: See illustration below.

Sink complies with ASME A112.19.3/ CSA B45.4



Sinks are listed by IAPMO[®] as meeting the applicable requirements of the Uniform Plumbing Code[®], International Plumbing Code[®], and National Plumbing Code of Canada.



These sinks are compliant to ADA and ANSI/ICC A117.1 accessibility requirements when installed according to the requirements outlined in these standards.

OPTIONAL ACCESSORIES

Drains: LK174, LKAD174.

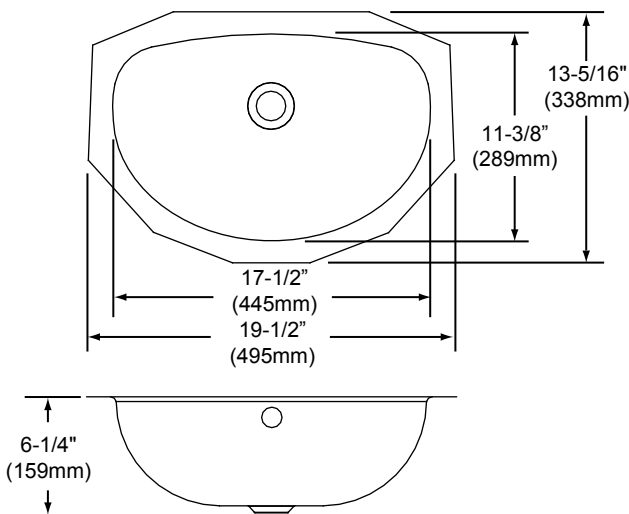
Mounting Hardware: LKUCIP8

SINK DIMENSIONS*

Model Number	Overall		Inside Each Bowl			Outout in Countertop	Minimum Cabinet Size
	L	W	L	W	D		
ELUH1811	19 1/2 (495mm)	13 5/16 (338mm)	17 1/2 (445mm)	11 3/8 (289mm)	6 1/4 (152mm)	See Template**	27 (686mm)

*Length is left to right. Width is front to back.

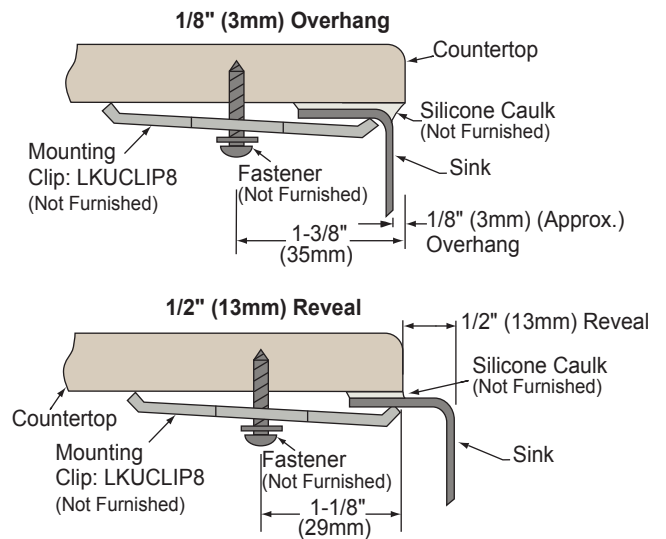
**Template #1000001473 is packed with every sink.



Model ELUH1811 Illustrated



Installation Profile



In keeping with our policy of continuing product improvement, Elkay reserves the right to change product specifications without notice. Please visit elkay.com for the most current version of Elkay product specification sheets.

This specification describes an Elkay product with design, quality, and functional benefits to the user. When making a comparison of other producers' offerings, be certain these features are not overlooked.